

LEADING IN
PRODUCTION
EFFICIENCY

shop.durr.com



Product catalog 2022

Spray and fluid handling equipment

Four product groups endless options

PAINT APPLICATION



PAINT SUPPLY



PAINT ROBOTS & PAINT MACHINES



PROCESS CONTROLLERS



Table of content

01	Dürr at a glance	4
02	Paint application	8
	Rotary atomizers	10
	Spray guns	13
	Spray guns airspray	14
	Spray guns air-assist	25
	Spray guns airless	31
	Spray guns ESTA	36
	Overspray-free application	39
	Color changers	42
	Cleaning devices	46
03	Material supply	51
	Paint supply system	53
	Dosing units	62
	Pumps	67
	RAMs	89
	Fluid handling	92
	Pressure regulators	93
	Pressure relief valves	100
	Agitators	102
	Filters	107
	Pressure gauges	112
	Hoses and fittings	115
04	Manipulators	124
	Robots	126
05	Process controllers	130
	EcoAUC	132
	EcoPUC A	135
06	Marketing	139

shop.durr.com

- Always most up to date product information
- Product configuration to select right product variant



01

Dürr at a glance

The Dürr Group is one of the world's leading mechanical and plant engineering firms with extensive expertise in automation and digitalization Industry 4.0.

Our machines, plant and services enable maximum production efficiency, whether in the automotive industry, which is responsible for just over 50 % of our sales, or in other sectors such as the woodworking, mechanical engineering, chemical, pharmaceutical and electrical electronic engineering industries. We run 112 sites in 33 countries. We operate globally with our Dürr, Schenck and HOMAG brands. In addition to North America and Western Europe, we are also strongly represented in the emerging markets.



Dürr Group brands



The long-established brand Dürr has been a byword for continuous innovation since 1896, with a wide range of products in robot, process and assembly technology for all areas of vehicle production, focusing on painting and final assembly lines. Dürr also offers painting technology for general industry. In the field of environmental technology, Dürr supplies efficient systems for exhaust air purification, for increasing the efficiency of production processes and for sound insulation technology for a wide range of industries. Smart automatic and supervisory control systems and an efficient service offering complete the portfolio.



Schenck stands for over 125 years of quality and innovation in balancing and diagnosis technology. Over this time, we have contributed a great deal to their technical development and are today the world market leader. Our balancing and diagnostic systems ensure that your plane lands safely, that your razor runs quietly and smoothly and that you can enjoy the comfort of your car for long time. Jet engines, razors or engines running smoothly and without vibration will not produce excessive noise, which may be transmitted to other components or cause malfunction. Schenck RoTec provides the technology to ensure this.



We are the world's leading manufacturer of machines and systems for the wood-processing industry and trades. As a global player, we operate international production plants as well as sales and service companies. The HOMAG Group offers its customers solutions for digitized production, based on digital data continuity from point of sale through the entire production process, combined with a comprehensive software suite. Our customers use high-tech machines and systems from the HOMAG Group to produce home and office furniture, kitchens, parquet and laminate flooring, windows, doors, staircases and even complete prefabricated timber-frame buildings.



Divisions of the Dürr Group

- **Paint and Final Assembly Systems:**
paint shops and final assembly systems for the automotive industry
- **Application Technology:**
robot technologies for the automated application of paint, sealants and adhesives
- **Clean Technology Systems:**
air pollution control, noise abatement systems and battery coating lines
- **Measuring and Process Systems:**
balancing equipment as well as assembly, testing and filling technology
- **Woodworking Machinery and Systems:**
machinery and equipment for the woodworking industry





02

Paint application

Product groups

Rotary atomizers _____	10
Spray guns _____	13
Overspray-free application _____	39
Color changers _____	42
Cleaning devices _____	46



Rotary atomizers

State of the art paint application

Product families

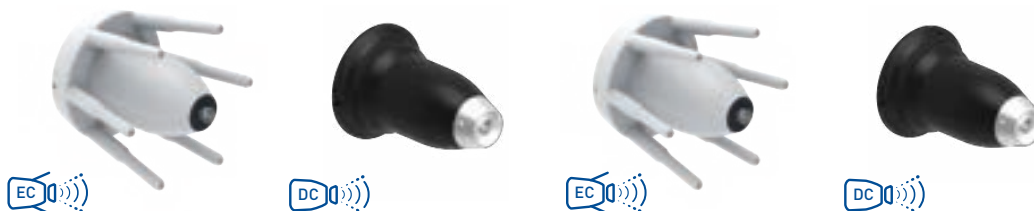
EcoBell2 SL - rotary atomizers external or direct charge



EcoBell2 SL

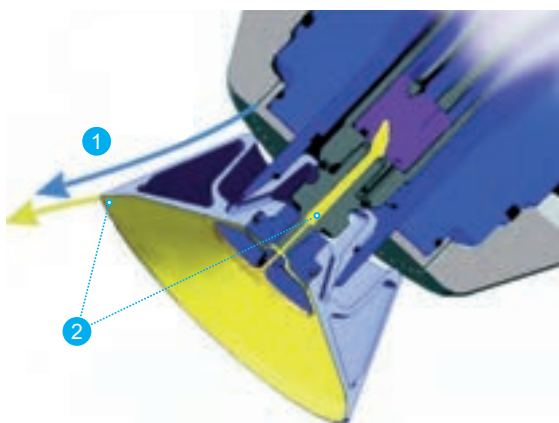
Rotary atomizers with external or direct charge

EcoBell2 SL is an electrostatic charged, state of the art rotary atomizer. Unique design and high transfer efficiency make this device to the perfect choice for everyone who is requiring top quality results. The very fine and smooth atomization is suitable even for the highest quality requirements and is moreover characterized by a transfer efficiency that is typically way higher than for pneumatic atomizers. Water-borne, solvent-borne as well as UV-paints can be processed, no matter if they contain metallic flakes or not.



PRODUCT LINE				
	EcoBell2 SL EC	EcoBell2 SL DC	EcoBell2 SL EC 1K m.RF	EcoBell2 SL DC 1K m.RF
Part No.	N34150003	N34150004	N34150005	N34150006
Charge	External	Direct	External	Direct
Technical highlights	Rotary atomizer with dual shaping air technology, one main needle. External electrodes to charge the atomized paint.	Rotary atomizer with dual shaping air technology, one main needle. Paint charged internally.	Rotary atomizer with dual shaping air technology, one main needle. External electrodes to charge the atomized paint.	Rotary atomizer with dual shaping air technology, one main needle. Paint charged internally. Integrated dump valve.
Field of use	Suitable for water-borne applications. Galvanic separation to the paint supply is not required.	Suitable for solvent-borne, water-borne and UV-paint applications as well as for non charged applications.	Suitable for water-borne applications. Galvanic separation to the paint supply is not required.	Suitable for solvent-borne, water-borne and UV-paint applications as well as for non charged applications.

TECHNICAL ILLUSTRATION



1 - Shaping air flow, 2 - Paint supply and atomization



CUSTOMER BENEFITS

Two independently controllable shaping airs and special designed bell cup allows maximum spray pattern flexibility

External high voltage generator with high capacity ensures a stable high voltage supply even under the harshest conditions

All rotary atomizers are rated for ATEX Zone 1

Suitable bell cups from aluminium and titanium for every kind of application

Well proven quality, reliability and robustness in thousands of applications

High efficiency turbine for a very low compressed air consumption

Isolated paint supply is not needed for external charge applications

EcoBell2 SL

Rotary atomizers with external or direct charge



BELL CUPS

	D52 O.R. VS-D40	D52 GR0,4 VS-D40	55 GR0,4 VS-D22 EcoBell A	D55 STK VS-D22 EcoBell AS
Part No.	N16310020	N16310021	N16310004	N16310005
Compatible atomizers	EcoBell2 SL DC	EcoBell2 SL DC	EcoBell2 SL EC	EcoBell2 SL EC
Diameter	52 mm	52 mm	55 mm	55 mm
Serration	None	Yes	Yes	None
Field of use	Primers, base coats.	Clear coats, metallic paints.	Clear coats, metallic paints.	Primers, base coats.



ACCESSORIES - EcoBell2 SL

	Add-on unit atomizer 60° with lock	Atomizer seat L140 EcoBell	Mixer complete extern atomizer D6,35L310	Hand earthing stick
Part No.	N34850018	N44050010 (DC) / N44050015 (EC)	N32500026	N65040001
Compatible atomizers	EcoBell2 SL DC / EC	EcoBell2 SL DC / EC	EcoBell2 SL DC / EC	EcoBell2 SL DC / EC
Usage	Robotic installations.	Fixed or reciprocator installations.	2K paints static mixing.	Discharging of EcoBell before maintenance.



	Set of installation tools	Special cutter	Installation tool assembly EcoBell2
Part No.	W02100112 (DC) / W02100113 (EC)	W12600018	W02020255
Compatible atomizers	EcoBell2 SL DC / EC	EcoBell2 SL DC / EC	EcoBell2 SL DC
Usage	Tool set to maintain EcoBell atomizer (f. N34150003 – N34150006).	Tool designed to clean dried paint from the M18 thread.	Allows to make atomizer maintenance works outside of application position (e.g. robot or reciprocator).

Complete list of accessories can be found in the webshop.

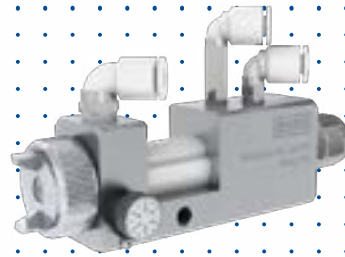


Spray guns

Products

- Spray gun airspray – manual and automatic low-pressure atomizers
- Spray gun air assist – manual and automatic high-pressure atomizers
- Spray gun airless – manual and automatic high-pressure atomizers
- Spray guns ESTA – manual and automatic electrostatic spray guns





Spray guns airspray

Manual and automatic spray guns



Product families

EcoGun AS MAN – manual air spray guns

EcoGun AS AUTO – automatic air spray guns

EcoGun AS MAN

Manual air spray guns

The Dürr collection of manual air spray guns is designed for all kind of tasks in multiple application areas. The line of gravity feed spray guns are primarily used for coating of smaller area like car body repairs, furniture lacquer application and others. There is also a line of pressure feed spray guns which are primarily used for larger area painting. Special variants of spray guns are available for heavy duty application of high solid materials like enamels or glazes.



PRODUCT LINE			
	EcoGun AS MAN 1GS (116)	EcoGun AS MAN 2GF (910)	EcoGun AS MAN 1AF
Part No.	see page no. 17	see page no. 17	see page no. 17
Feeding	Gravity	Gravity	Gravity with pressure support
Connector fluid	G3/8" / M16x1.5 (male)	G3/8" (male)	G3/8" (male)
Connector air	1/4" Universal (male)	G1/4"	1/4" Universal (male)
Max. air pressure	6.0 bar (87 psi)	8.0 bar (116 psi)	6.9 bar (100 psi)
Nozzle sizes	1.0* / 1.2 / 1.3 / 1.4 / 1.5 / 1.6 / 1.8 / 2.0 / 2.2 / 2.8 / 4.0* mm	0.5* / 0.8* / 1.0* / 1.2* / 1.3* / 1.4 / 1.5* / 1.6 / 1.8 / 2.0 / 2.5 / 3.0 mm	1.6 / 1.8 / 2.0 / 2.2 mm
Technical highlights	Bottom air inlet regulator. Optional extensions. Different material connectors available.	Air inlet regulation lever on top. Needle adjustment lock. Fine quality nozzles. Bayonet air cap and needle connection system.	Bottom air inlet regulator. Needle adjustment lock. Fine quality nozzles. Gravity cup with air pressure support.
Field of use	General paint application. Primers, fillers, top coats in general industry etc. Low duty abrasive materials like glazes, enamels or zinc paints.	Fine finish coatings. Top coats, clear coats, automotive fillers and primers.	High solid and viscose paints like zinc paints, stains etc. Small surface paint application.

* nozzles available as accessory only



GRAVITY CUPS					
	600 ml G3/8"	600 ml G3/8"	600 ml M16x1.5	750 ml G3/8" Al	125 ml G3/8"
Part No.	N08010034	N08010075	N08010040	N08010035	N08010032
Material	Nylon	Nylon	Nylon	Aluminium	Nylon
Filter sieve	0.275 mm	none	0.275 mm	none	0.23 mm
Related spray guns	EcoGun AS MAN 1GS (116) 2GF (910)	EcoGun AS MAN 1GS (116) 2GF (910)	EcoGun AS MAN 1GS (116)	EcoGun AS MAN 1GS (116) 2GF (910)	EcoGun AS MAN 1GS (116) 2GF (910)

EcoGun AS MAN

Manual air spray guns

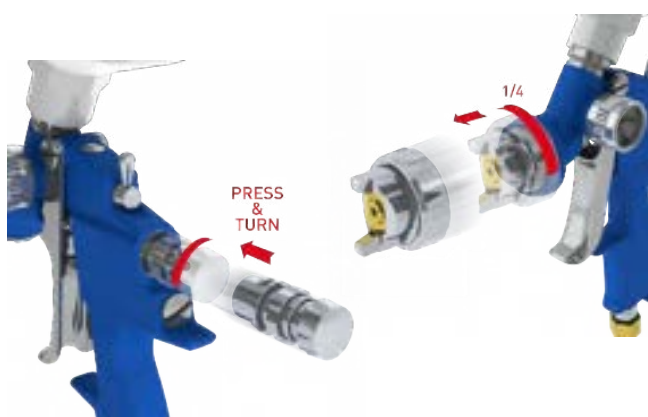


PRODUCT LINE

	EcoGun AS MAN 1PS (246)	EcoGun AS MAN 1PF (249)
Part No.	see page no. 17	see page no. 17
Feeding	Pressure	Pressure
Connector fluid	M14x1.5 / 3/8" Universal (male)	M14x1.5 / 3/8" Universal (male)
Connector air	1/4" Universal (male)	1/4" Universal (male)
Max. air pressure	6.0 bar (87 psi)	6.9 bar (100 psi)
Max. fluid pressure	6.0 bar (87 psi)	6.9 bar (100 psi)
Nozzle sizes	1.0 / 1.2* / 1.4 / 1.5* / 1.6* / 1.8 / 2.2 / 2.8* / 4.0* mm	0.8* / 1.0* / 1.2 / 1.3* / 1.4 / 1.6* / 1.8* / 2.0* / 2.2 / 2.8* / 4.0* mm
Technical highlights	Air inlet regulation lever on top. Different material inlets. Optional extensions. Stainless steel material path.	Bottom air inlet regulator. Needle adjustment lock. Fine quality nozzles. Different material inlets, heavy duty hardened nozzles. Stainless steel material path.
Field of use	General paint application. Primers, fillers, top coats, stains in general industry etc. Low duty abrasive materials like glazes, enamels or zinc paints.	Fine finish coatings. Stains, top coats, clear coats, automotive fillers and primers. Heavy duty abrasive materials like glazes, enamels or zinc paints.

* nozzles available as accessory only

TECHNICAL ILLUSTRATION



Quick & easy replacement of air cap and needle with bayonet connection.



CUSTOMER BENEFITS

[Gravity and pressure feeding](#)

[Top level quality coating](#)

[Simple to use, easy to maintain](#)

[Wide range of nozzle types to cover all applications](#)

EcoGun AS MAN

Manual air spray guns

ORDER NUMBERS

EcoGun AS MAN 1GS (116)

Part no.	Air cap	Nozzle size	Cup
N36200148	AL	1.4	Cup 600 ml, 3/8"
N36200101	AL	2.0	Cup 600 ml, 3/8"
N36200102	AL	2.2	Cup 600 ml, 3/8"
N36200103	EL	2.8	Cup 600 ml, 3/8"
N36200110	AL	1.8	Cup 600 ml, 3/8"
N36200283	AL	1.2	Cup 600 ml, M16x1,5
N36200284	AL	1.3	Cup 600 ml, M16x1,5
N36200285	AL	1.4	Cup 600 ml, M16x1,5
N36200286	AL	1.6	Cup 600 ml, M16x1,5
N36200287	AL	1.8	Cup 600 ml, M16x1,5
N36200288	AL	2.0	Cup 600 ml, M16x1,5
N36200289	AL	2.2	Cup 600 ml, M16x1,5
N36200290	EL	2.8	Cup 600 ml, M16x1,5

EcoGun AS MAN 1AF

Part no.	Air cap	Nozzle size
N36320100	LC	1.6
N36320104	LC	1.8
N36320101	LC	2.0
N36320103	LC	2.2

EcoGun AS MAN 1PS (246)

Part no.	Air cap	Nozzle size	Connector fluid
N36200142	PC	1.4	3/8" external material pipe
N36200278	PC	2.2	3/8" external material pipe
N36200308	AL	1.0	M14x1,5 external material pipe
N36200407	PC	1.8	M14x1.5 direct connect

EcoGun AS MAN 2GF (910)

Part no.	Air cap	Nozzle size	Cup
N36200126	CF	1.8	Cup 600 ml, 3/8"
N36200247	CF	2.0	Cup 600 ml, 3/8"
N36200336	LF	1.4	Cup 600 ml, 3/8"
N36200369	CF	3.0	Cup 600 ml, 3/8"
N36200371	LF	1.8	Cup 600 ml, 3/8"
N36200402	LF	2.0	Cup 600 ml, 3/8"
N36200403	CF	1.6	Cup 600 ml, 3/8"
N36200404	LF	2.5	Cup 600 ml, 3/8"
N36200405	CF	2.5	Cup 600 ml, 3/8"
N36200406	LF	1.6	Cup 600 ml, 3/8"

EcoGun AS MAN 1PF (249)

Part no.	Air cap	Nozzle size	Connector fluid
N36200111	LP	1.2	3/8" direct connect
N36200164	LP	1.4	3/8" direct connect
N36200213	LS	2.2	M14x1.5 external material pipe

EcoGun AS MAN

Manual air spray guns



AIR CAPS				
	AL	EL	GL	PC
Part No.	M35030162	M35030163	M35030164	M35030091
Compatible spray guns	EcoGun AS MAN 1GS (116) / EcoGun AS MAN 1PS (246)	EcoGun AS MAN 1GS (116) / EcoGun AS MAN 1PS (246)	EcoGun AS MAN 1GS (116) / EcoGun AS MAN 1PS (246)	EcoGun AS MAN 1PS (246)
Nozzle sizes	1.0 / 1.2 / 1.3 / 1.4 / 1.6 / 1.8 / 2.0 / 2.2 mm	2.8 mm	4.0 mm	1.0 / 1.2 / 1.3 / 1.4 / 1.6 / 1.8 / 2.0 / 2.2 mm
Air pressure recom.	2.0-3.5 bar (29-51 psi)	2.5-4.0 bar (36-58 psi)	3.0-4.5 bar (44-65 psi)	2.0-3.5 bar (29-51 psi)
Field of use	Top coats, base coats, primers, enamels.	General paints, primers or fillers, high flow rate.	General paints, primers or fillers, very high flow rate.	General paints, primers or fillers.



	RS 1,5	PS	LE
Part No.	M35030181	M35030166	M35030086
Compatible spray guns	EcoGun AS MAN 1GS (116) / EcoGun AS MAN 1PS (246)	EcoGun AS MAN 1PS (246)	EcoGun AS MAN 1PF (249)
Nozzle sizes	1.5 mm	1.4 / 1.8 / 2.2 mm	2.8 mm
Air pressure recom.	2.0-3.5 bar (29-51 psi)	2.5-4.0 bar (36-58 psi)	2.5-4.0 bar (36-58 psi)
Field of use	Release and anti-adhesives agents, not suitable for applying paints & lacquers.	Abrasive paints e.g. zinc paints.	General coatings e.g. base coats, primers, fillers, abrasives, glazes, enamels, zinc paints.



	LP	LS	LC
Part No.	M35030082	M35030084	M35030083
Compatible spray guns	EcoGun AS MAN 1PF (249)	EcoGun AS MAN 1PF (249)	EcoGun AS MAN 1PF (249), EcoGun AS MAN 1AF
Nozzle sizes	0.8 / 1.0 / 1.2 / 1.4 mm	1.4 / 1.8 / 2.2 mm	1.3 / 1.4 / 1.6 / 1.8 / 2.0 / 2.2 mm
Air pressure recom.	1.8-2.5 bar (26-36 psi)	2.5-4.0 bar (36-58 psi)	2.0-3.5 bar (29-51 psi)
Field of use	Fine finish coating, top coats, clear coats, mordants.	Abrasives, glazes, enamels, zinc paints.	General coatings e.g. base coats, primers, fillers.

EcoGun AS MAN

Manual air spray guns



AIR CAPS				
	CF (0.5-1.2)	CF (1.3-1.6)	CF (1.8-2.5)	CF (3.0)
Part No.	M35030069	M35030070	M35030071	M35030072
Compatible spray guns	EcoGun AS MAN 2GF (910)	EcoGun AS MAN 2GF (910)	EcoGun AS MAN 2GF (910)	EcoGun AS MAN 2GF (910)
Nozzle sizes	0.5 / 0.8 / 1.0 / 1.2 mm	1.3 / 1.4 / 1.5 / 1.6 mm	1.8 / 2.0 / 2.5 mm	3.0 mm
Air pressure recom.	2.0-3.5 bar (29-51 psi)	2.0-3.5 bar (29-51 psi)	2.0-3.5 bar (29-51 psi)	2.0-3.5 bar (29-51 psi)
Field of use	Top coats, base coats, primers, decorative coating.	Top coats, base coats, primers.	Top coats, base coats, primers.	Base coats, primers.

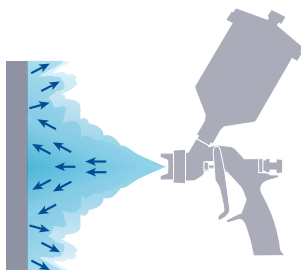


	LF (LVLP) (0.5-1.2)	LF (LVLP) (1.3-1.6)	LF (LVLP) (1.8-2.5)	LF (LVLP) 3.0
Part No.	M35030073	M35030074	M35030075	M35030076
Compatible spray guns	EcoGun AS MAN 2GF (910)	EcoGun AS MAN 2GF (910)	EcoGun AS MAN 2GF (910)	EcoGun AS MAN 2GF (910)
Nozzle sizes	0.5 / 0.8 / 1.0 / 1.2 mm	1.3 / 1.4 / 1.5 / 1.6 mm	1.8 / 2.0 / 2.5 mm	3.0 mm
Air pressure recom.	2.0-3.5 bar (29-51 psi)	2.0-3.5 bar (29-51 psi)	2.0-3.5 bar (29-51 psi)	2.0-3.5 bar (29-51 psi)
Field of use	Top coats, base coats, primers. LVLP technology.	Top coats, base coats, primers. LVLP technology.	Top coats, base coats, primers. LVLP technology.	Base coats, primers. LVLP technology.

AIR SPRAY METHODS

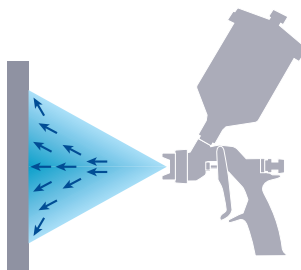
CONVENTIONAL

Extremely fine atomization and great surface coverage. The higher dynamic energy compared to LVLP/HVLP technology often keeps the transfer efficiency (TE) considerably below those achieved with LVLP/HVLP guns. This is due to particle bounce back from the object and increased overspray.



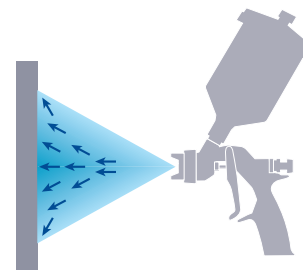
HVLP (HIGH VOLUME LOW PRESSURE)

Low spray pressure technology. Terminology for an internationally recognized low-pressure technology whereby the transfer efficiency rate has to exceed 65%, while the maximum air pressure under the air cap is below 0.7 bar.



LVLP (LOW VOLUME LOW PRESSURE)

Further development of HVLP technology to achieve a TE comparable to that of HVLP technology but still being able to spray difficult materials with good quality results.



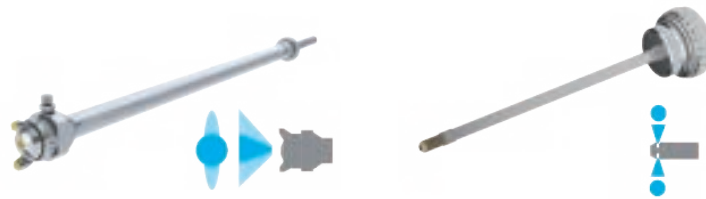
EcoGun AS MAN

Manual air spray guns



ACCESSORIES - EXTENSIONS

	LPS	NP 250	NS 250
Part No.	M19140010 / M19140011 / M19140012 / M19140013	M19140014 / M19140016	M19140015 / M19140017
Length	300 / 600 / 1,000 / 1,500 mm	250 mm	250 mm
Outer diameter	18 mm	8 / 10 mm	8 / 10 mm
Nozzle sizes	2.2 mm	1.0 / 1.2 mm	1.0 / 1.2 mm
Compatible spray guns	EcoGun AS MAN 1GS (116) EcoGun AS MAN 1PS (246)	EcoGun AS MAN 1GS (116) EcoGun AS MAN 1PS (246)	EcoGun AS MAN 1GS (116) EcoGun AS MAN 1PS (246)
Spray pattern	Direct round spray or circular spray for inner parts of pipes.	Direct round spray.	Side spray beam.



	PN 600	MLP 6
Part No.	M19140025 / M19140026 / M19140027	M19140024
Length	600 mm	1,500 mm
Outer diameter	—	6 mm
Nozzle sizes	1.8 / 2.2 mm	— (spiral nozzle)
Compatible spray guns	EcoGun AS MAN 1PS (246)	EcoGun AS MAN 1PS (246)
Spray pattern	Round to flat, extensions use standard nozzles and air caps.	Round spray, flexible hose to reach cavities for anti corrosion protection.

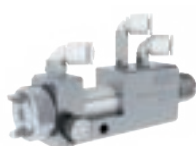
EcoGun AS AUTO

Automatic air spray guns

The wide range of automatic air spray guns is tailored to fulfill many kinds of application jobs across all industries. There are spray guns suitable for standard paint applications and special coverage applications in ceramic or glass industry. Other spray guns can be used for dot marking or very small area coating. All automatic spray guns are capable for fully controlled remote operation by the production control systems.



PRODUCT LINE			
	EcoGun AS AUTO	EcoGun AS AUTO pro	EcoGun AS AUTO pro HD
Part No.	N36210008V	N36210012V	N36210013V
Connector fluid	G1/8" female / G1/4" male	G1/4" (male)	G3/8" (male)
Connector air atom./cont.	Push-in 8 mm / Push-in 6 mm	Push-in 8 mm / Push-in 6 mm	Push-in 8 mm / Push-in 6 mm
Max. air pressure atom.	6.0 bar (87 psi)	8.0 bar (116 psi)	8.0 bar (116 psi)
Max. air pressure cont.	4.0 bar (58 psi)	6.0 bar (87 psi)	6.0 bar (87 psi)
Max. fluid pressure	6.0 bar (87 psi)	4.0 bar (58 psi)	4.0 bar (58 psi)
Nozzle sizes	0.8 / 1.0 / 1.2 / 1.6 / 1.8 / 2.0 / 2.2 mm	0.5 / 0.8 / 1.0 / 1.2 / 1.3 / 1.4 / 1.5 / 1.6 / 1.8 / 2.0 / 2.5 / 3.0 mm	0.5 / 0.8 / 1.0 / 1.2 / 1.5 / 1.8 / 2.0 / 2.5 / 3.0 mm
Technical highlights	Two material inlets for circulation. Optional remote control of spray pattern. Calibrated bracket. Stainless steel material path. Optional extensions.	Two material inlets for circulation. Optional remote control of spray pattern. Stainless steel material path. Air caps and nozzles for LVLP. Coated nozzles and needles for longer lifetime.	Two material inlets for circulation. Optional remote control of spray pattern. Stainless steel material path. Hardened nozzles for heavy duty applications.
Field of use	Usual paint application, primers, base coats, top coats, clear coats.	Usual paint application, primers, base coats, top coats, clear coats.	Enamels, glazes or other high abrasive materials in ceramic industry. Special purpose applications with round / rotary spray jet.



	EcoGun AS AUTO Mini FS	EcoGun AS AUTO Mini RS
Part No.	N36210006V	N36210007V
Connector fluid	Push-in 6 mm	Push-in 6 mm
Connector air atom./cont.	Push-in 6 mm / Push-in 6 mm	Push-in 6 mm / Push-in 6 mm
Max. air pressure atom.	3.0 bar (44 psi)	3.0 bar (44 psi)
Max. air pressure cont.	5.0 bar (73 psi)	5.0 bar (73 psi)
Max. fluid pressure	1.5 bar (22 psi)	1.5 bar (22 psi)
Nozzle sizes	0.6 / 0.8 / 1.0 mm	0.6 / 0.8 / 1.0 / 1.2 mm
Technical highlights	Flat to round spray pattern regulation. Remote or manual horn air regulation. Stainless steel nozzles.	Round spray pattern. Stainless steel nozzles. Optional extensions.
Field of use	Small area painting, dot marking.	Small area painting, dot marking.

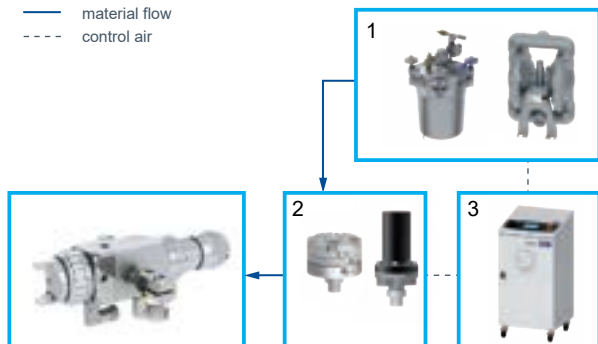
EcoGun AS AUTO

Automatic air spray guns

TECHNICAL ILLUSTRATION

EcoGun AS AUTO – Deployment

— material flow
 ---- control air



1 - Material feeding, 2 - Pressure regulation, 3 - Application control



CUSTOMER BENEFITS

Wide range of spray gun types to fit all kinds of applications

Top level quality coating

Simple to use, easy to maintain

Wide range of nozzle types to cover all applications



AIR CAPS

	CF	LF (LVLV)	SF (conv.)
Part No. (nozzle size)	M35030174 (0.5-0.8 mm), M35030175 (1.0-1.2 mm), M35030176 (1.3-1.6 mm), M35030177 (1.8-2.5 mm) M35030178 (3.0 mm)	M35030170 (0.5-1.2 mm), M35030171 (1.3-1.6 mm), M35030172 (1.8-2.5 mm) M35030173 (3.0 mm)	M35030180 (1.0-1.2 mm) M35030179 (0.5-0.8 mm)
Compatible spray guns	EcoGun AS AUTO pro	EcoGun AS AUTO pro	EcoGun AS AUTO pro
Nozzle sizes	0.5-0.8 / 1.0-1.2 / 1.3-1.6 / 1.8-2.5 / 3.0 mm	0.5-1.2 / 1.3-1.6 / 1.8-2.5 / 3.0 mm	0.5-0.8 / 1.0-1.2 mm
Air pressure recom.	2.0-2.5 bar (29-36 psi)	2.0-2.5 bar (29-36 psi)	2.0-2.5 bar (29-36 psi)
Field of use	Top coats, base coats, primers, UV-coats.	Top coats, base coats, primers, UV-coats.	Top coats, decorative coatings (e.g. cosmetic and glass industry).

EcoGun AS AUTO

Automatic air spray guns



	Circular jet	FLRD	Rotary jet
Part No. (nozzle size)	M35030144 (0.5mm) M35030088 (0.8mm) M35030145 (1.0mm) M35030146 (1.2mm) M35030147 (1.5mm) M35030148 (1.8mm) M35030149 (2.0mm) M35030150 (2.5mm) M35030151 (3.0mm)	M35030104 (0.5mm) M35030106 (0.8mm) M35030107 (1.0mm) M35030109 (1.2mm) M35030110 (1.5mm) M35030111 (1.8mm) M35030112 (2.0mm) M35030113 (2.5mm) M35030114 (3.0mm)	M35030128 (1.2mm) M35030129 (1.5mm) M35030143 (1.8mm) M35030130 (2.0mm) M35030131 (2.5mm) M35030132 (3.0mm)
Compatible spray guns	EcoGun AS AUTO pro HD	EcoGun AS AUTO pro HD	EcoGun AS AUTO pro HD
Nozzle sizes	0.5 - 3.0 mm	0.5 - 3.0 mm	1.2 - 3.0 mm
Air pressure recom.	2.0-2.5 bar (29-36 psi)	2.0-2.5 bar (29-36 psi)	2.0-2.5 bar (29-36 psi)
Field of use	Top coats, base coats, decorative coatings.	Ceramic glazes, enamels.	Ceramic glazes, enamels, heavily atomized materials like adhesives.



	PC	HM (HVLP)
Part No.	M35030091	M35030092
Compatible spray guns	EcoGun AS AUTO	EcoGun AS AUTO
Nozzle sizes	1.6 / 1.8 / 2.0 / 2.2 mm	1.0 / 1.2 mm
Air pressure recom.	2.5-3.5 bar (36-51 psi)	1.8 bar (26 psi)
Field of use	General paints, primers or fillers.	Top coats, mordants (lower viscosity).



	PL	LM 10
Part No.	M35030087	M35030093
Compatible spray guns	EcoGun AS AUTO	EcoGun AS AUTO Mini FS
Nozzle sizes	0.8 / 1.0 / 1.2 mm	0.6 / 0.8 / 1.0 mm
Air pressure recom.	2.5-3.5 bar (36-51 psi)	2.0 bar (29 psi)
Field of use	Fine finish coatings, top & clear coats.	Varnishes or paints with lower viscosity, fine atomization, small area coatings.

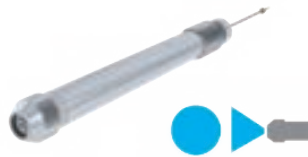
EcoGun AS AUTO

Automatic air spray guns



ACCESSORIES - EXTENSION

	LPS	NP 250	NS 250
Part No. (Length / nozzle size)	M19140022 (300 mm), M19140023 (500 mm)	M19140018 (1.0 mm), M19140020 (1.2 mm)	M19140019 (1.0 mm), M19140021 (1.2 mm)
Length	300 / 500 mm	250 mm	250 mm
Outer diameter	18 mm	8 / 10 mm	8 / 10 mm
Nozzle size	2.2 mm	1.0 / 1.2 mm	1.0 / 1.2 mm
Compatible spray guns	EcoGun AS AUTO	EcoGun AS AUTO	EcoGun AS AUTO
Spray pattern	Direct round spray or circular spray for inner parts of the pipe.	Direct round spray.	Side spray beam.



	DSA 100
Part No. (nozzle size)	M19140006 (0.6 mm), M19140007 (0.8 mm), M19140008 (1.0 mm), M19140009 (1.2 mm)
Length	100 mm
Outer diameter	14 mm
Nozzle size	0.6 / 0.8 / 1.0 / 1.2 mm
Compatible spray guns	EcoGun AS AUTO Mini RS
Spray pattern	Direct round spray.



Spray guns air-assist

Manual and automatic air-assist spray guns



Product families

EcoGun AA MAN – manual air-assist spray guns

EcoGun AA AUTO – automatic air-assist spray guns

EcoGun AA MAN

Manual air-assist spray guns

Manual air-assist spray guns are the perfect choice for application of high viscosity material with high demand for surface quality. Typical users are woodcrafters where they can be used to provide perfect finishing for solid wood furniture by solvent and water-borne lacquers. The wide range of nozzles make these spray guns a versatile tool. Spray guns can be fed by EcoPump VP packages.



PRODUCT LINE

EcoGun AA MAN 2P (2100)	
Part No.	see table below
Connector fluid	1/4" NPSM
Max. fluid pressure	250 bar (3,600 psi)
Connector air	G1/4"
Nozzle sizes	0.18* / 0.23* / 0.28 / 0.33 / 0.38* / 0.43* / 0.48* / 0.53* / 0.60* / 0.70* mm **
Technical highlights	External material inlet with optional filtration (long or short filter). Flat to round regulation. Atomization air regulation. Trigger force regulator.
Field of use	Decorative and protective coatings for wood and metal substrates. Solvent-borne or water-borne lacquers. High viscosity paints and stains.

* nozzle sizes available as accessory only

** See complete range of nozzles on page no. 29 and page no. 30.

ORDER NUMBERS - EcoGun AA MAN 2P (2100)

Part no.	Nozzle	Filter	Air Cap
N36220115	0.28mm/40° 6-KT	long filter	Air cap 40-130°
N36220121	0.33mm/50° 6-KT	long filter	Air cap 40-130°
N36220144	0.28mm/40° 6-KT	short filter	Air cap 40-130°
N36220203	0.28mm/50° 6-KT	short filter	Air cap 40-130°

Note: If nozzle with a spray angle 30° or lower than is required, please use other aircap (M35030077)



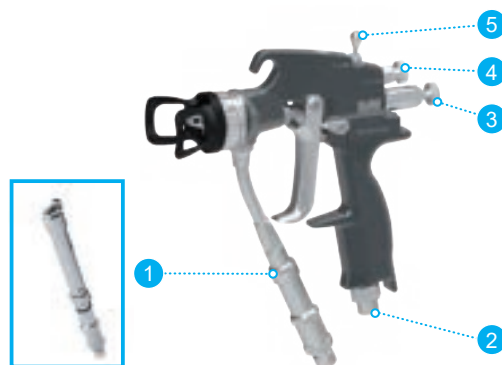
CUSTOMER BENEFITS

External paint feed (allows paint heating)

Material filter options (long and short filter)

Wide range of nozzle sizes available

TECHNICAL ILLUSTRATION



1 - Material inlet with short or long filter, 2 - Air inlet, 3 - Trigger regulation, 4 - Fan pattern size regulation, 5 - Inlet air regulation

EcoGun AA AUTO

Automatic air-assist spray guns

Automatic air-assist spray guns are often used in batch paint application where they are a part of the automated painting process. They are characterized by a material path made of stainless steel and a separate air regulation for round and flat spray patterns, while the seal packing is externally adjustable.



PRODUCT LINE	
	EcoGun AA AUTO
Part No.	N36230001V
Connector fluid	G1/4" (male)
Connector air atom./cont.	Push-in 6x8 / 4x6 or 2,7x4 mm
Max. air pressure atom.	8.0 bar (116 psi)
Max. air pressure cont.	6.0 bar (87 psi)
Max. fluid pressure	250 bar (3,600 psi)
Nozzle sizes	0.18 / 0.23 / 0.28 / 0.33 / 0.38 / 0.43 / 0.48 / 0.53 / 0.60 / 0.70 mm *
Technical highlights	Two material inlets. Separate round/flat spray regulation. Needle seal accessible from the outside. Universal version with air valves ACV Version for flat bed machines FRC Remote control version for robot applications RC
Field of use	Decorative and protective coatings for wood and metal substrates.

* See complete range of nozzles on page no. 29 and page no. 30.



CUSTOMER BENEFITS

Air-assist and airless work mode possible

Material pressure up to 250 bar (3,600 psi)

Material path completely made of stainless steel

Needle seal accessible from the outside

Separate round/flat spray regulation (for ACV or RC version)

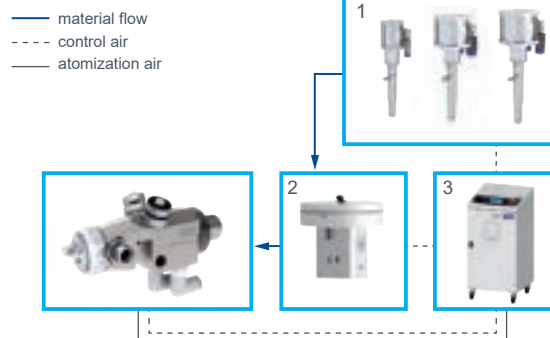
Wide range of nozzles available

Material circulation or direct material supply

In-line filter available

TECHNICAL ILLUSTRATION

EcoGun AA AUTO – Deployment



1 - Material feeding, 2 - Pressure regulation, 3 - Application control

EcoGun AA

Automatic air-assist spray guns



AIR-ASSIST AIR CAPS

	Air cap 10-30°	Air cap 40-90°	Air cap round
Part No.	M35030077	M35030078	M35030229
Compatible spray guns	EcoGun AA MAN 2P (2100), EcoGun AA AUTO	EcoGun AA MAN 2P (2100), EcoGun AA AUTO	EcoGun AA MAN 2P (2100), EcoGun AA AUTO
Spray angle	10-30°	40-90°	10-90°
Field of use	Primers, base coats, clear coats, UV-coats.	Primers, base coats, clear coats, UV-coats.	Clear coats and fast-drying coating materials.

EcoGun AA

Automatic air-assist spray guns



NOZZLE 6-KT AIR-ASSIST (WITH PRE-ATOMIZER) - COMPATIBLE WITH ECOGUN AA MAN 2P (2100) / ECOGUN AA AUTO

Orifice size mm / inch.	Flow rate l / min ^{2,3}	Fan angle Fan width in mm (inches) ¹								
		10° 51-76 (2-4)	20° 102-152 (4-6)	30° 152-203 (6-8)	40° 203-254 (8-10)	50° 254-305 (10-12)	60° 305-356 (12-14)	70° 356-406 (14-16)	80° 406-457 (16-18)	90° 457-508 (18-20)
0.18 / 0.007	0.18	M09020372 M09270002	M09020373 M09270003	M09020374 M09270004	M09020375 M09270005					
0.23 / 0.009	0.25	M09020376 M09270006	M09020377 M09270007	M09020378 M09270008	M09020379 M09270009	M09020380 M09270010	M09020381 M09270011			
0.28 / 0.011	0.37	M09020382	M09020383 M09270012	M09020384 M09270013	M09020385 M09270014	M09020386 M09270015	M09020387 M09270016	M09020388 M09270017		
0.33 / 0.013	0.57	M09020389	M09020390 M09270018	M09020391 M09270019	M09020392 M09270020	M09020393 M09270021	M09020394 M09270022	M09020395 M09270023	M09020396 M09270024	
0.38 / 0.015	0.72	M09020397	M09020398	M09020399 M09270025	M09020400 M09270026	M09020401 M09270027	M09020402 M09270028	M09020403 M09270029	M09020404 M09270030	M09020405 M09270031
0.43 / 0.017	0.98	M09020406	M09020407	M09020408 M09270032	M09020409 M09270033	M09020410 M09270034	M09020411 M09270035	M09020412 M09270036	M09020413 M09270037	M09020414 M09270038
0.48 / 0.019	1.30	M09020415	M09020416	M09020417	M09020418	M09020419	M09020420	M09020421	M09020422	M09020423
0.53 / 0.021	1.52	M09020424	M09020425	M09020426	M09020427	M09020428	M09020429	M09020430	M09020431	M09020432
0.60 / 0.024	1.95	M09020433	M09020434	M09020435	M09020436	M09020437	M09020438	M09020439	M09020440	M09020441
0.70 / 0.028	2.70	M09020442	M09020443	M09020444	M09020445	M09020446	M09020447	M09020448	M09020449	M09020450

¹ - Fan width in 300 mm spraying distance with water

² - Flow rate at 100 bar pressure with water, deviation of up to ± 15% to the setpoint is permitted

³ - Use the following formulare to calculate the flow rate (Q2) to a new operating pressure (P2):

$$Q2 = Q1 * \sqrt{\frac{P2}{P1}} \quad P1 = 100 \text{ bar}, Q1 = \text{flow rate according to table}$$

Part numbers in blue are nozzles without preatomizer.

Nozzle marking



AXX''

AYY

A – fan angle (e.g. 6 = 60°)

XX'' – size in inches (e.g. 11 = 0.011'')

YY – size in mm (e.g. 28 = 0.28 mm)

VZ – nozzles with preatomizer

EcoGun AA

Automatic air-assist spray guns



NOZZLE ROUND AIR-ASSIST (WITH PRE-ATOMIZER) - COMPATIBLE WITH ECOGUN AA MAN 2P (2100) / ECOGUN AA AUTO

Orifice size mm / inch.	Flow rate l / min ^{2,3}	Fan angle Fan width in mm [inches] ¹								
		10° 51-76 (2-4)	20° 102-152 (4-6)	30° 152-203 (6-8)	40° 203-254 (8-10)	50° 254-305 (10-12)	60° 305-356 (12-14)	70° 356-406 (14-16)	80° 406-457 (16-18)	90° 457-508 (18-20)
0.18 / 0.007	0.18	M09020731	M09020684	M09020690	M09020696	—	—	—	—	—
0.23 / 0.009	0.25	M09020732	M09020685	M09020691	M09020697	M09020717	M09020702	—	—	—
0.28 / 0.011	0.37	—	M09020686	M09020692	M09020698	M09020718	M09020703	M09020710	—	—
0.33 / 0.013	0.57	—	M09020687	M09020693	M09020699	M09020719	M09020704	M09020711	M09020713	—
0.38 / 0.015	0.72	—	M09020688	M09020694	M09020700	M09020720	M09020705	M09020712	M09020740	M09020748
0.43 / 0.017	0.98	—	—	M09020695	M09020701	M09020722	M09020707	M09020736	M09020746	M09020714
0.48 / 0.019	1.30	—	—	M09020733	M09020734	M09020735	M09020708	M09020737	M09020747	M09020743
0.53 / 0.021	1.52	—	—	—	—	M09020723	M09020709	M09020738	M09020741	M09020749
0.58 / 0.023	1.83	—	—	—	—	M09020724	M09020745	M09020739	M09020742	M09020744

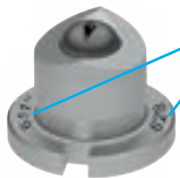
¹ - Fan width in 300 mm spraying distance with water

² - Flow rate at 100 bar pressure with water, deviation of up to ± 15% to the setpoint is permitted

³ - Use the following formulare to calculate the flow rate (Q2) to a new operating pressure (P2):

$$Q2 = Q1 * \sqrt{\frac{P2}{P1}} \quad P1 = 100 \text{ bar}, Q1 = \text{flow rate according to table}$$

Nozzle marking



AXX"

AYY

A – fan angle (e.g. 6 = 60°)

XX" – size in inches (e.g. 11 = 0.011")

YY – size in mm (e.g. 28 = 0.28 mm)



Spray guns airless

Manual and automatic airless spray guns



Product families

EcoGun AL MAN – manual airless spray guns

EcoGun AL AUTO – automatic airless spray guns

EcoGun AL MAN

Manual airless spray guns

Manual airless spray guns are suitable for high pressure paint application. They can be used for anti corrosion protection coating of large steel structures or coating of wood structures. Functionality can be extended by using extensions which can help to paint areas which are difficult to reach. The modular design of these extensions allows to assemble different lengths and angles. Airless spray guns may be used with reversible nozzles that are available in a large number of sizes and angles.



PRODUCT LINE	
	EcoGun AL MAN 300
Part No.	see table below
Connector fluid	1/4" NPSM (male)
Max. fluid pressure	300 bar (4,350 psi)
Nozzle bracket connector	11/16" -16 UN
Nozzle sizes	0.18* / 0.23* / 0.28* / 0.33* / 0.38* / 0.43 / 0.48* / 0.53* / 0.58* / 0.63* / 0.68* / 0.73* / 0.78* mm **
Technical highlights	External material inlet, suitable for paint heating.
Field of use	Anti corrosion protection, penetration and sealing applications. Wood building, metal and automotive industry.

* nozzle sizes available as accessory only

** See complete range of nozzles on page no. 34 and page no. 35

ORDER NUMBERS - EcoGun AL MAN 300 (251)

Part no.	Nozzle	Filter
N36240110	0,43mm 50°/517" reversible nozzle	no filter
N36240137	none (nozzles for sealing applications are available separately)	no filter



CUSTOMER BENEFITS

Perfectly balanced ergonomic shape of spray gun body that minimizes fatigue

Material passage ways made of stainless steel

External material supplying part allows application of heated paint

Wide range of available spray nozzles

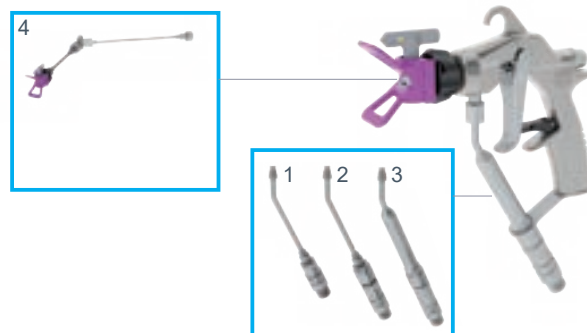
Optional extensions available (up to 900 mm)

Easy cleaning and maintenance

ATEX EX II 2G T60°C X

TECHNICAL ILLUSTRATION

EcoGun AL MAN – Optional parts



1 - Material inlet w/o filter, 2 - Material inlet with short filter, 3 - Material inlet with long filter, 4 - Optional extensions - modular system

EcoGun AL AUTO

Automatic airless spray guns

Automatic airless spray guns are suitable for high pressure paint application. They can be used for anti corrosion protection, coating of large steel structures or penetration of wood structures. Functionality can be extended by using extensions to paint areas which are difficult to reach. Modular design of these extensions allows to assemble different lengths and angles. Airless spray guns use reversible nozzles which are provided in a large number of sizes and angles.



PRODUCT LINE

EcoGun AL AUTO	
Part No.	N36250001V
Connector fluid	G1/8" female or G1/4" / 1/4" NPSM / M14x1,5 male
Connector air control	Push-in 6 mm
Max. air pressure cont.	5.0 bar (73 psi)
Max. fluid pressure	300 bar (4,350 psi)
Nozzle bracket connector	11/16"-16 UN
Nozzle sizes	0.18 / 0.23 / 0.28 / 0.33 / 0.38 / 0.43 / 0.48 / 0.53 / 0.58 / 0.63 / 0.68 / 0.73 / 0.78 mm *
Technical highlights	Two options for closing valve diameter (large for very high viscosity material). Two material inlets for circulation. Spray gun bracket for secure repositioning.
Field of use	Anti corrosion coating. Penetration application.

* See complete range of nozzles on page no. 34 and page no. 35

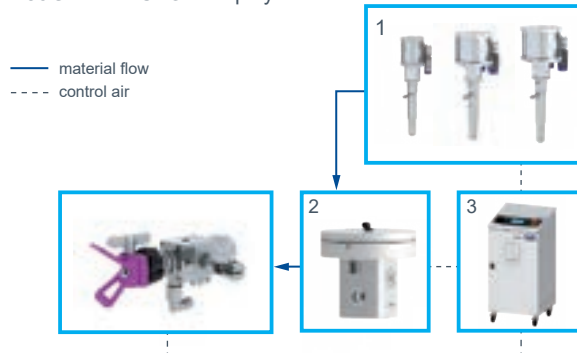


CUSTOMER BENEFITS

- Material passage ways made of stainless steel
- Wide range of reversible nozzles
- Optional extensions
- Max. fluid pressure 300 bar (4,350 psi)
- Direct material supply or material circulation
- Easy cleaning and maintenance

TECHNICAL ILLUSTRATION

EcoGun AL AUTO – Deployment



1 - Material feeding, 2 - Pressure regulation, 3 - Application control



EXTENSIONS FOR EcoGun AL

	Extension pipes	Rotary joint	Direct joint
Part No.	M19140001 / M19140002 / M19140003 / M19140004 / M19140005	M22150012	M01010201
Length	150 / 300 / 450 / 600 / 900 mm	—	—
Thread	11/16"-16 UN	11/16"-16 UN	11/16"-16 UN
Max. fluid pressure	250 bar (3,600 psi)	250 bar (3,600 psi)	250 bar (3,600 psi)
Usage	Extension tube with different lengths. By using connecting joints pipes can be connected to make any other length.	Rotary joint allows bending spray beam in any angle.	Direct joint is used to connect spray tip bracket with extension for straight spraying.

EcoGun AL MAN/AUTO



SELECTED SPARE PARTS - AIRLESS & AIR-ASSIST

Part No.	Filters - long	Filters - short	Nozzle guard
	200 msh red (M13060010) 100 msh yellow (M13060011) 50 msh white (M13060012) 30 msh green (M13060013)	100 msh (M13060017) 200 msh (M13060018) 100 msh lamellar (M13100241) 60 msh lamellar (M13100242)	M60020001 Reversible nozzles Thread: 11/16" - 16 UN Safety guard
Compatible spray guns	EcoGun AL MAN 300 EcoGun AA MAN	EcoGun AL MAN 300	EcoGun AL MAN 300 EcoGun AL AUTO

Complete list of accessories can be found in the webshop.



REVERSIBLE NOZZLE AIRLESS

Orifice size mm / inch.	Flow rate l / min ^{2,3}	Fan angle Fan width in mm (inches) ¹								
		10° 51-76 (2-4)	20° 102-152 (4-6)	30° 152-203 (6-8)	40° 203-254 (8-10)	50° 254-305 (10-12)	60° 305-356 (12-14)	70° 356-406 (14-16)	80° 406-457 (16-18)	90° 457-508 (18-20)
0.18 / 0.007	0.18	M09020475	M09020476	—	—	—	—	—	—	—
0.23 / 0.009	0.25	M09020477	M09020478	M09020479	M09020480	—	—	—	—	—
0.28 / 0.011	0.37	M09020481	M09020482	M09020483	M09020484	M09020485	M09020486	—	—	—
0.33 / 0.013	0.57	M09020487	M09020488	M09020489	M09020490	M09020491	M09020492	M09020493	M09020494	—
0.38 / 0.015	0.72	M09020495	M09020496	M09020497	M09020498	M09020499	M09020500	M09020501	M09020502	—
0.43 / 0.017	0.98	M09020503	M09020504	M09020505	M09020506	M09020507	M09020508	M09020509	M09020510	—
0.48 / 0.019	1.30	—	M09020511	M09020512	M09020513	M09020514	M09020515	M09020516	M09020517	—
0.53 / 0.021	1.52	—	—	M09020518	M09020519	M09020520	M09020521	M09020522	M09020523	M09020524
0.58 / 0.023	1.83	—	—	M09020525	M09020526	M09020527	M09020528	M09020529	M09020530	M09020531
0.63 / 0.025	2.13	—	—	M09020532	M09020533	M09020534	M09020535	M09020536	M09020537	M09020538
0.68 / 0.027	2.50	—	—	M09020539	M09020540	M09020541	M09020542	M09020543	M09020544	M09020545
0.73 / 0.028	2.95	—	—	M09020546	M09020547	M09020548	M09020549	M09020550	M09020551	M09020552
0.78 / 0.030	3.42	—	—	M09020553	M09020554	M09020555	M09020556	M09020557	M09020558	M09020559

¹ - Fan width in 300 mm spraying distance with water

² - Flow rate at 100 bar pressure with water, deviation of up to ± 15% to the setpoint is permitted

³ - Use the following formulare to calculate the flow rate (Q2) to a new operating pressure (P2):

$$Q2 = Q1 * \sqrt{\frac{P2}{P1}} \quad P1 = 100 \text{ bar, } Q1 = \text{flow rate according to table}$$

Nozzle marking



AXX

A – fan angle (e.g. 4 = 40°)

XX – size in inches (e.g. 19 = 0.019")

EcoGun AL MAN/AUTO



FLAT NOZZLE AIRLESS (STANDARD AND FINE FINISH)

Orifice size mm / inch.	Flow rate l / min ^{2,3}	Fan angle Fan width in mm [inches] ¹					
		40° 203-254 (8-10)	50° 254-305 (10-12)	60° 305-356 (12-14)	70° 356-406 (14-16)	80° 406-457 (16-18)	90° 457-508 (18-20)
0.15 / 0.006	0.14	M09020881*	M09020882*	—	—	—	—
0.18 / 0.007	0.18	—	—	—	—	—	—
0.20 / 0.008	0.22	M09020883*	M09020884*	M09020728*	—	—	—
0.23 / 0.009	0.25	M09020901	M09020902	M09020903	—	—	—
0.25 / 0.010	0.33	M09020885*	M09020887*	M09020888*	M09020889*	M09020729*	—
0.28 / 0.011	0.37	M09020904	M09020905	M09020906	M09020907	—	—
0.30 / 0.012	0.47	M09020890*	M09020891*	M09020892*	M09020893*	M09020730*	M09020894*
0.33 / 0.013	0.57	M09020908	M09020909	M09020910	M09020911	M09020912	—
0.35 / 0.014	0.65	M09020895*	M09020896*	M09020897*	M09020898*	M09020899*	M09020900*
0.38 / 0.015	0.72	M09020913	M09020914	M09020915	M09020916	M09020917	—
0.43 / 0.017	0.98	M09020918	M09020919	M09020920	M09020921	M09020922	M09020923

* - Fine finish flat nozzles airless

¹ - Fan width in 300 mm spraying distance with water

² - Flow rate at 100 bar pressure with water, deviation of up to ± 15% to the setpoint is permitted

³ - Use the following formulare to calculate the flow rate (Q2) to a new operating pressure (P2):

$$Q2 = Q1 * \sqrt{\frac{P2}{P1}} \quad P1 = 100 \text{ bar, } Q1 = \text{flow rate according to table}$$

Nozzle marking



AYY

A – fan angle (e.g. 6 = 60°)

YY – size in mm (e.g. 28 = 0.28 mm)



Spray guns ESTA

Manual and automatic electrostatic spray guns



Product families

EcoGun MAN ESTA – manual electrostatic spray guns

EcoGun MAN ESTA

Manual electrostatic spray guns

The line of manual electrostatic spray guns involves models with external or direct charge for air spray application method. These spray guns are the perfect solution to reduce overspray when deploying manual paint application. They are suitable for solvent or water-borne paints. Small size and light weight are providing long lasting operation without significant fatigue.



PRODUCT LINE		
	EcoGun AS MAN EC *	EcoGun AS MAN DC *
Part No.	N36180001V	N36190001V
Connector fluid	G3/8" with 60° inner cone (male)	G3/8" with 60° inner cone (male)
Max. fluid pressure	6.0 bar (87 psi)	6.0 bar (87 psi)
Connector air	G1/4" with 60° inner cone (male)	G1/4" with 60° inner cone (male)
Max. operating voltage	30 kV	60 kV
Nozzle sizes	1.1 mm	1.1 mm
Technical highlights	External charging needle. Built-in control lamp to indicate high voltage. High voltage only if the trigger is pulled.	Internal charge via electrode on tip of the needle. Built-in control lamp to indicate high voltage. High voltage only if the trigger is pulled. Model for clear and base coats. Model for metallic coats.
Field of use	For water-borne clear and base coats and fillers.	For solvent-borne clear, metallic and base coats and fillers. A model with insulated material hose is available for water-borne paints.

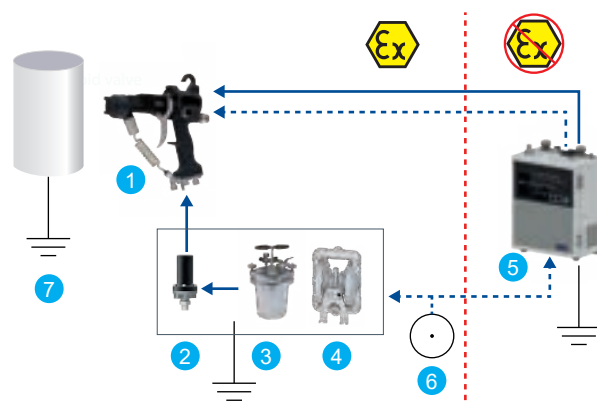
* CSA certified for usage in Class I, II and III, Division 1 Hazardous (Classified) Locations



CUSTOMER BENEFITS

- Solvent resistant composite body guarantees a light weight and a long life
- Maximum charge of 60 kV for high transfer efficiency
- Direct and external charging system available
- Fine atomization even without high voltage
- Suitable for solvent-borne paints

TECHNICAL ILLUSTRATION



1 - EcoGun AS MAN DC, 2 - EcoFlow LPF, 3 - Pressure pot 10A, 4 - EcoPump AD, 5 - Controller EcoHT 80, 6 - Air supply, 7 - Coated part

EcoGun MAN ESTA

Manual electrostatic spray guns



AIR CAPS

	Air cap HN400	Air cap HN600	Air cap HN800
Part No.	M35030249	M35030250	M35030251
Compatible spray guns	EcoGun AS MAN EC, EcoGun AS MAN DC	EcoGun AS MAN EC, EcoGun AS MAN DC	EcoGun AS MAN EC, EcoGun AS MAN DC
Specification	Small spray pattern, recommended material flow rate 50-150 ml/min.	Medium spray pattern, recommended material flow rate 140-280 ml/min.	Large spray pattern, recommended material flow rate 240-400 ml/min.
Field of use	Less air flutter and flat pattern. Suitable for small or narrow work.	Standard type can realize both high transfer efficiency and appearance.	High atomization model for high viscosity or high flow rate.



SELECTED ACCESSORIES

	EcoHT 80 Controller	Hoses	Extension cables
Part No.	E80020003 (100-120V) E80020004 (200-240V)	W40650001V	E09070247 (10 m) E09070248 (20 m)
Compatible spray guns	EcoGun AS MAN EC, EcoGun AS MAN DC	EcoGun AS MAN EC, EcoGun AS MAN DC	EcoGun AS MAN EC, EcoGun AS MAN DC

Complete list of accessories can be found in the webshop.



Overspray-free application

100% transfer efficiency

Product families

EcoPaintJet - overspray-free paint applicator

EcoPaintJet

Overspray free paint applicator

EcoPaintJet is one of the most innovative developments in the paint industry ever made. In contrary to spray guns and bells, the EcoPaintJet does not atomize the paint, but creates constant streams of paint. This increases the transfer efficiency to 100% or in other words 0% overspray. As a consequence of no overspray, the pollution of air filters is reduced significantly which saves operating costs. In addition the spray pattern created by the EcoPaintJet is razor sharp. This allows to paint stripes or other types of simple patterns without masking. Last but not least, color changes are possible within a few seconds.



PRODUCT LINE	
	EcoPaintJet
Part No.	N32180001
Spray pattern width	50 mm
Coating distance	5-25 mm
Application speed	< 2,000 mm/s
Weight	800 g
ATEX	Ex II 3G T6

Nozzle plate is not included.



CUSTOMER BENEFITS

100% transfer efficiency

Lower operating costs due to less air filter pollution

High plant capacity, no masking process

Low exhaust air and supply air requirements

Low-pressure system

Color changes are possible

Sharp edge application

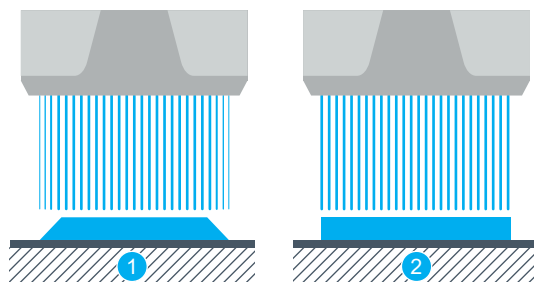
Application possible in horizontal, vertical or upsidedown position



NOZZLE PLATES		
	Nozzle plate 150	Nozzle plate seal
Part No.	M09150035	M08280168
Compatible applicators	EcoPaintJet	EcoPaintJet
Pattern type	Overlap	—
Nozzle diameter	150 microns	—

Type of used nozzle plate depends on characteristics of application paint. To select the correct nozzle plate, trials are strongly recommended.

TECHNICAL ILLUSTRATION

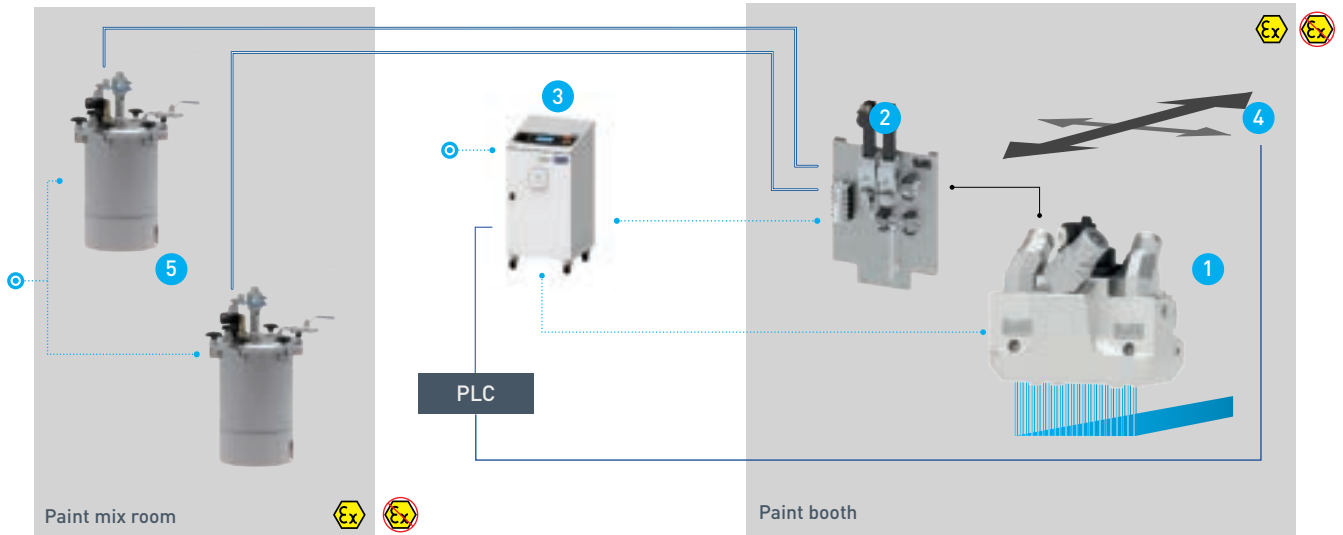


1 - Spray pattern with overlap, 2 - Spray pattern with sharp edge

EcoPaintJet

Overspray free paint applicator

INTEGRATION SCHEME



APPLICATION COMPONENTS

- 1 EcoPaintJet
- 2 Fluid board
- 3 EcoAUC - control unit
- 4 Manipulator e.g. reciprocator
- 5 Paint supply system e.g. pressure pot

ELECTRIC LINES

- Ethernet

MEDIA

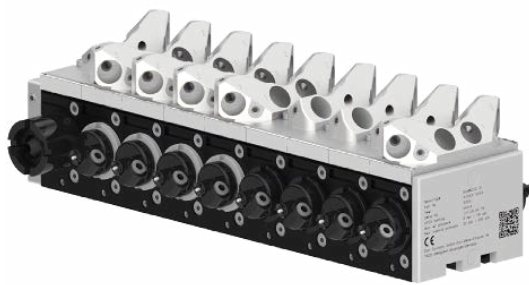
- Paint hose
- Compressed air
- Compressed air source



ACCESSORIES

	Bracket	Pressure pots	Filter insert 15µm / 40µm	EcoAUC
Part No.	M19024014	N08160001V, N08170001V	M13100262, M13100260	F30310001V
Usage	Allows to mount the EcoPaintJet on a manipulator.	Suitable for smooth paint delivery without pulsation.	Fine filter for paint.	Control unit for application process, color change, precise paint flow regulation.

We strongly recommend to use Dürr components for the paint supply as they are proven to deliver a smooth paint flow.



Color changers

Low pressure or high pressure color changer

Product families

EcoMCC3 20 – low pressure color changer

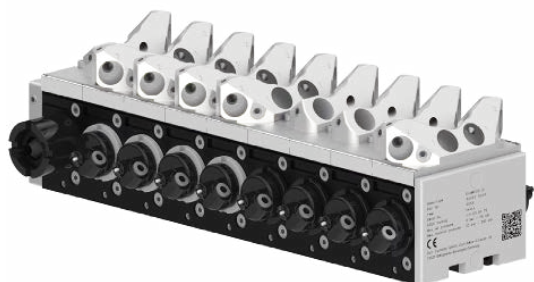
EcoMCC 200 – high pressure color changer

EcoValve7 20 – low pressure color changer with diaphragm valves

EcoMCC3 20

Low pressure color changer

The **EcoMCC3 20** color changer has been designed for rapid color changes. During design, great emphasis was focused on an optimal feed to realize a minimum color loss and maximum maintenance friendliness. This color change valve generation can be used with water or solvent-borne primer paints, top coating and 1K clear varnishes material to enable weight optimization. The **EcoMCC3 20** can be utilized independent or in combination with **EcoBell** or **EcoGun** product package.



CUSTOMER BENEFITS

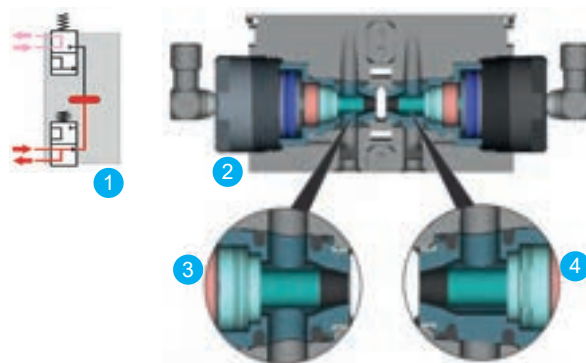
Highly flexible - can be extended at any time by adding a 2-color strip

Each color can either be configured as deadend or circulation system.

PRODUCT LINE

	EcoMCC3 20
Part No.	N14800002V
Connector fluid	Dürr paint fitting
Connector air	Push-in 4 mm
No. of colors	up to 36 colors
Max. fluid pressure	20 bar (290 psi)
Operating temperature	10-40 °C (50-104 °F)
Materials contacted by media	Polyoxymethylene (POM), Titanium, Stainless steel

TECHNICAL ILLUSTRATION



1 - Single channel color changer in circulation mode, 2 - Stainless steel valve, 3 - Circulation, 4 - Tap line mode

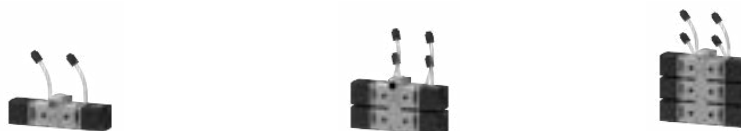
ORDER CODE

EcoMCC3 20			
Option	Code	Code	Option
No. of color deadend			Mounting rail
1-36	1-36	J	Yes
No. of color circulation			Sensors color changer
1-36	1-36	N	Without pressure sensor
No. of paint ducts		WP	With pressure sensor
A canal	A	WHTP	With HT-proof pres. sensor
AB canal	AB		Cover plate
Executing direction		G	G1/8"
Left	L		Type of valve color chang.
Right	R	3	EcoMCC3
Purging technology		3S	EcoMCC3 S
Solvent/pulse air	SP		
Solvent/pulse air/paint return	SPP		

EcoMCC 200

High pressure color changer

The **EcoMCC 200** is a color changer solution for airless or air-assist varnishing of water and solvent-borne paint. Due to its short switching times, the **EcoMCC 200** is also suitable as a dosing valve in 2K applications. The color change is effected quickly thanks to short flushing and low dead space. An additional chamber contains a plasticizer that prevents both, hardening of the media on the valve needle and higher wear and tear.



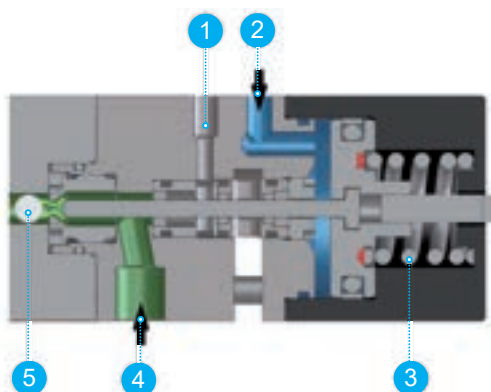
PRODUCT LINE

	EcoMCC 200 2C D SST	EcoMCC 200 4C D SST	EcoMCC 200 6C D SST
Part No.	N14100001	N14100002	N14100003
Connector fluid	G1/8" / G1/4"	G1/8" / G1/4"	G1/8" / G1/4"
Connector air	M5	M5	M5
No. of colors	2	4	6
Max. fluid pressure	200 bar (2,900 psi)	200 bar (2,900 psi)	200 bar (2,900 psi)
Operating temperature	15-40 °C (59-104 °F)	15-40 °C (59-104 °F)	15-40 °C (59-104 °F)
Materials contacted by media	Stainless steel, carbide	Stainless steel, carbide	Stainless steel, carbide



	EcoMCC 200 8C D SST	EcoMCC 200 10C D SST	EcoMCC 200 1C D SST
Part No.	N14100004	N14100005	N14100006
Connector fluid	G1/8" / G1/4"	G1/8" / G1/4"	G1/8" / G1/4"
Connector air	M5	M5	M5
No. of colors	8	10	1
Max. fluid pressure	200 bar (2,900 psi)	200 bar (2,900 psi)	200 bar (2,900 psi)
Operating temperature	15-40 °C (59-104 °F)	15-40 °C (59-104 °F)	15-40 °C (59-104 °F)
Materials contacted by media	Stainless steel, carbide	Stainless steel, carbide	Stainless steel, carbide

TECHNICAL ILLUSTRATION



1 - Collecting pan connection, 2 - Control air connection, 3 - Compression spring, 4 - Material inlet, 5 - Material outlet



CUSTOMER BENEFITS

- Standard offer includes up to 10 valves
- Material pressure up to 200 bar (2,900 psi)
- Carbide valve seat and needle for longer downtime periods
- Minimal flushing due to reduction of dead space
- Second chamber for plasticizers
- Faster valve change during maintenance
- ATEX Ex II 2G Ex h IIA T6 Gb X

EcoValve7 20

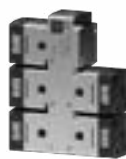
Low pressure color changer with diaphragm valves

EcoValve7 20 is a low pressure color changer, designed for advanced 2K application. In contrary to classical valve designs, the EcoValve7 20 is equipped with a diaphragm seal between needle and piston. Therefore leakages are impossible. In addition, the valve opens automatically in an overpressure situation. The diaphragm valve is characterized by its extremely high lifetime, its easy to clean surface and its integrated needle seat which guarantees a fast maintenance.



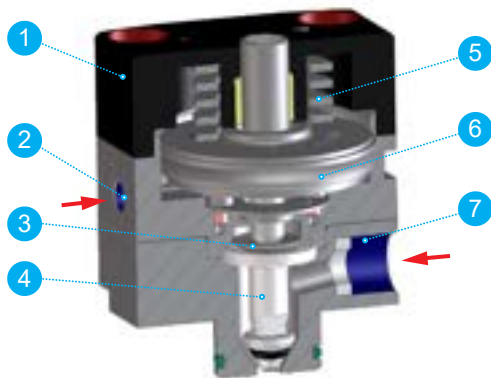
PRODUCT LINE

	EcoValve7 20 1C	EcoValve7 20 2C	EcoValve7 20 3C
Part No.	N32350010	N32350011	N32350014
Connector fluid	G1/8"	G1/8"	G1/8"
Connector air	M5	M5	M5
No. of colors	1	2	3
Max. fluid pressure	20 bar (290 psi)	20 bar (290 psi)	20 bar (290 psi)
Media temperature	15-50 °C (59-122 °F)	15-50 °C (59-122 °F)	15-50 °C (59-122 °F)
Materials contacted by media	Stainless steel, titanium	Stainless steel, titanium	Stainless steel, titanium



	EcoValve7 20 4C	EcoValve7 20 5C	EcoValve7 20 6C
Part No.	N32350012	N32350015	N32350016
Connector fluid	G1/8"	G1/8"	G1/8"
Connector air	M5	M5	M5
No. of colors	4	5	6
Max. fluid pressure	20 bar (290 psi)	20 bar (290 psi)	20 bar (290 psi)
Media temperature	15-50 °C (59-122 °F)	15-50 °C (59-122 °F)	15-50 °C (59-122 °F)
Materials contacted by media	Stainless steel, titanium	Stainless steel, titanium	Stainless steel, titanium

TECHNICAL ILLUSTRATION



1 - Housing, 2 - Control air inlet, 3 - Diaphragm, 4 - Needle, 5 - Spring, 6 - Piston, 7 - Material inlet



CUSTOMER BENEFITS

Diaphragm technology of EcoValve7 20 ensures a high lifetime and prevents the system from bursting hoses

Flat surfaces allow easy cleaning

Special industrial design of EcoValve7 20 increases robustness by high value covers and surfaces



Cleaning devices

Application equipment cleaning

Product families

EcoGun Cleaner M – automatic cleaning device for manual spray guns

EcoBell Cleaner D – automatic cleaning device for **EcoBell2**

EcoGun CapCleaner – automatic cleaning device for automatic spray guns

EcoPaintJet Cleaner – automatic cleaning device for **EcoPaintJet**

EcoGun Cleaner M

Automatic cleaning device for manual spray guns

Cleaning device to perform an automatic color change with a pneumatic trigger to activate the manual gun release. Suitable for multi-component solvent-borne and water-borne paint with a pressure of maximum 200 bar.



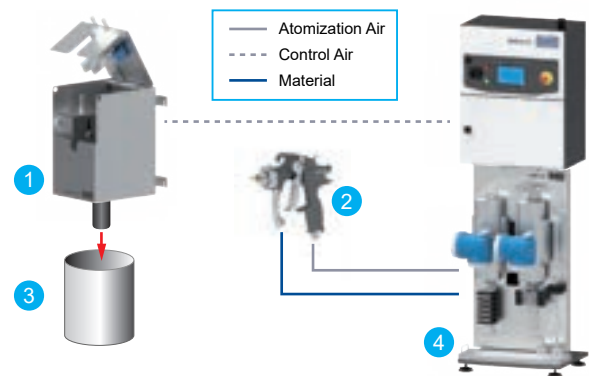
CUSTOMER BENEFITS

Automatic cleaning of manual spray guns

Pneumatically controlled

Direct control from EcoDose with pot time control

TECHNICAL ILLUSTRATION



1 - EcoGun Cleaner M, 2 - EcoGun AS MAN pressure feed, 3 - Waste collecting bin (basket), 4 - Dosing unit

PRODUCT LINE

EcoGun Cleaner M	
Part No.	N05010120
Available gun adapters*	EcoGun AS MAN 2PF (M65020334) EcoGun AS MAN 1PF (M65020344) EcoGun AA MAN 2P (M65020343) EcoGun AS MAN DC (M65020340) Graco Pro XP40 (M65020345) Graco Pro XP60 (M65020346) Graco Air Pro 1.1 (M65020347) SATA JET 3000 KRP (M65020348) Iwata W200 (M65020349) DeVilbiss GTi ProLite (M65020350)
Compatible controls	EcoDose 2K EcoDose 3K
Max. fluid temperature	65 °C (149 °F)
Max. fluid pressure	7 bar (101.5 psi)
Field of use	1K or multicomponent paint applications. Mainly for flushing of manual guns e.g. in combination with EcoDose 2K and EcoDose 3K .

* Other spray gun models on request.

EcoBell Cleaner D

Automatic cleaning device for EcoBell2

EcoBell Cleaner D is an efficient and quick solution to perform cleaning in an automatic painting process. The set of nozzles for solvent and air flushing provide reliable cleaning of the shaping air holes and part of the shroud. This ensures long lasting high quality performance in application processes.



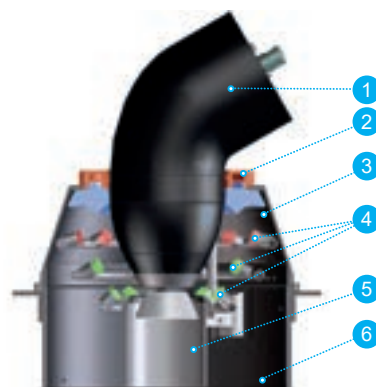
CUSTOMER BENEFITS

- The atomizer cleaner is suitable to remove water-borne and solvent-borne paints
- Ensures reliable and long lasting operation of rotary atomizers
- Reduce maintenance times

PRODUCT LINE

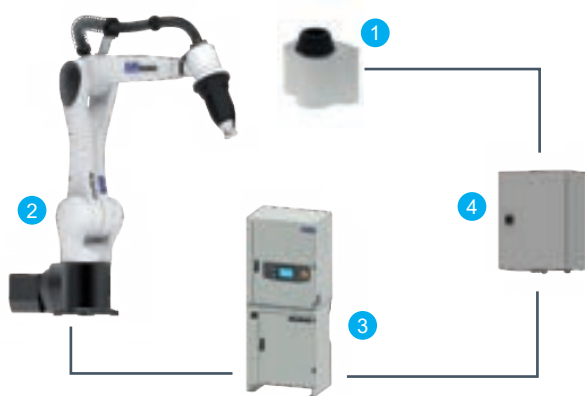
	EcoBell Cleaner D
Part No.	N05040001
Compatible bells	EcoBell2
Max. fluid pressure	10 bar (145 psi)
Max. air pressure	8 bar (116 psi)
Max. fluid temperature	60 °C
Field of use	1K or multicomponent paint applications.

TECHNICAL ILLUSTRATION



1 - Rotating atomizer, 2 - Blow air ring, 3 - Cleaner cover, 4 - Cleaning nozzles, 5 - Inner tube, 6 - Cleaner housing

INTEGRATION SCHEME



1 - EcoBell Cleaner D, 2 - EcoRP 10 R1100, 3 - Robot controller, 4 - Pneumatic control unit



SELECTED ACCESSORIES

	Control unit for cleaning device	Bracket ZRG/LKRG S700	Adjustment tool teach RG D 2 AA
Part No.	N32220006	M19023576	W17150009

EcoGun CapCleaner

Automatic cleaning device for automatic spray guns

EcoGun CapCleaner is an efficient and quick solution to perform cleaning in an automatic painting process. The set of nozzles for solvent and air flushing provide reliable cleaning of the air cap. This ensures long lasting high quality performance in application processes. In comparison to brush-based cleaning devices, the **EcoGun CapCleaner** is not negatively affected by drying paint, as there is no direct contact with the brush or other components.



CUSTOMER BENEFITS

The cap cleaner is suitable to remove water-borne and solvent-borne paints

Ensures reliable and long lasting operation of spray gun air caps

Reduce maintenance times

PRODUCT LINE

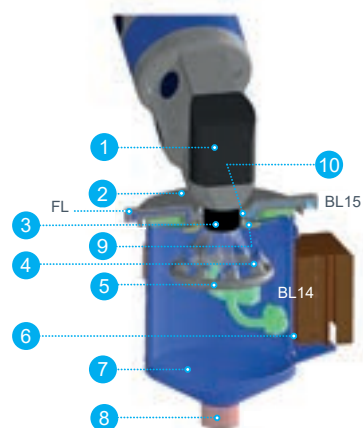
	EcoGun CapCleaner
Part No.	N05310001
Compatible spray guns*	EcoGun AS AUTO EcoGuns AS AUTO pro (M30010375) EcoGun AA AUTO (M30010388)
Max. fluid pressure	10 bar (145 psi)
Max. air pressure	8 bar (116 psi)
Max. fluid temperature	60 °C
Field of use	1K or multicomponent paint applications.

* Other spray gun models on request.

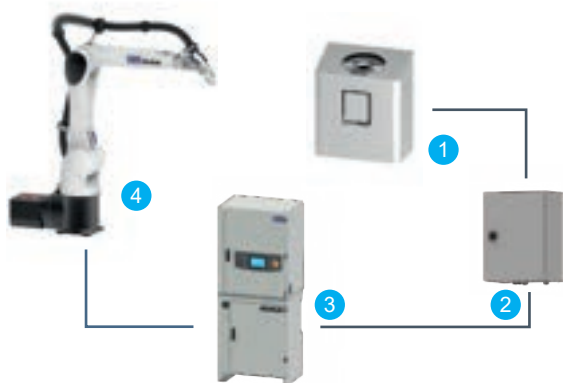
TECHNICAL ILLUSTRATION

- 1 - EcoGun air atomizer
- 2 - Covering
- 3 - Air cap with union nut
- 4 - Blow pipe (BL 14)
- 5 - Solvent distributor ring with nozzles (V11)
- 6 - Ventilation boring
- 7 - Tank
- 8 - Drain
- 9 - Annular gap BL 15
- 10 - Sealing collar

FL - Blocking air connection
BL14 - Blowing air 14 connection
BL15 - Blowing air 15 connection



INTEGRATION SCHEME



1 - EcoGun CapCleaner, 2 - Control unit for cleaning device, 3 - Robot controller, 4 - EcoRP 10 R1100

SELECTED ACCESSORIES

	Control unit for Cleaning device	Bracket ZRG/LKRG S700	Adjustment tool Teach RG D 2 AA
Part No.	N32220006	M19023576	W17150009

EcoPaintJet Cleaner

Automatic cleaning device for EcoPaintJet

EcoPaintJet Cleaner is an efficient and quick solution to perform cleaning in an automatic painting process. The set of nozzles for solvent and air flushing provide reliable cleaning of the nozzle plate of the EcoPaintJet applicator. This ensures long lasting high quality performance in application processes.



CUSTOMER BENEFITS

The applicator cleaner is suitable to remove water-borne and solvent-borne paints

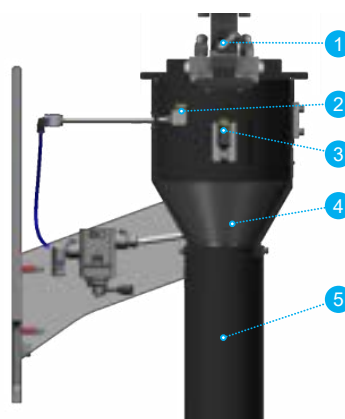
Ensures reliable and long lasting operation of applicator

Reduce maintenance times

PRODUCT LINE

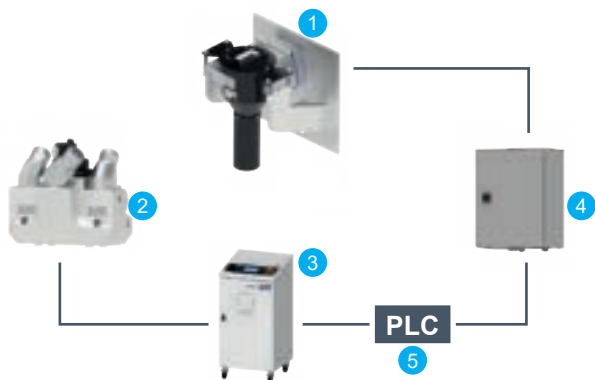
EcoPaintJet Cleaner	
Part No.	N05060001
Compatible applicators	EcoPaintJet
Max. fluid pressure	3 bar (43 psi)
Max. air pressure	2 bar (29 psi)
Connector air	hose 4x6
Connector fluid	hose 6x9
Cleaning agent consumption per sequence	20-50 ml
Field of use	1K or multicomponent paint applications.

TECHNICAL ILLUSTRATION

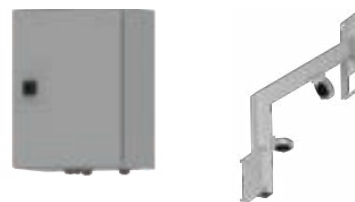


1 - EcoPaintJet, 2 - Drying nozzle, 3 - Cleaning nozzle, 4 - Cleaner housing, 5 - Outlet tube

INTEGRATION SCHEME

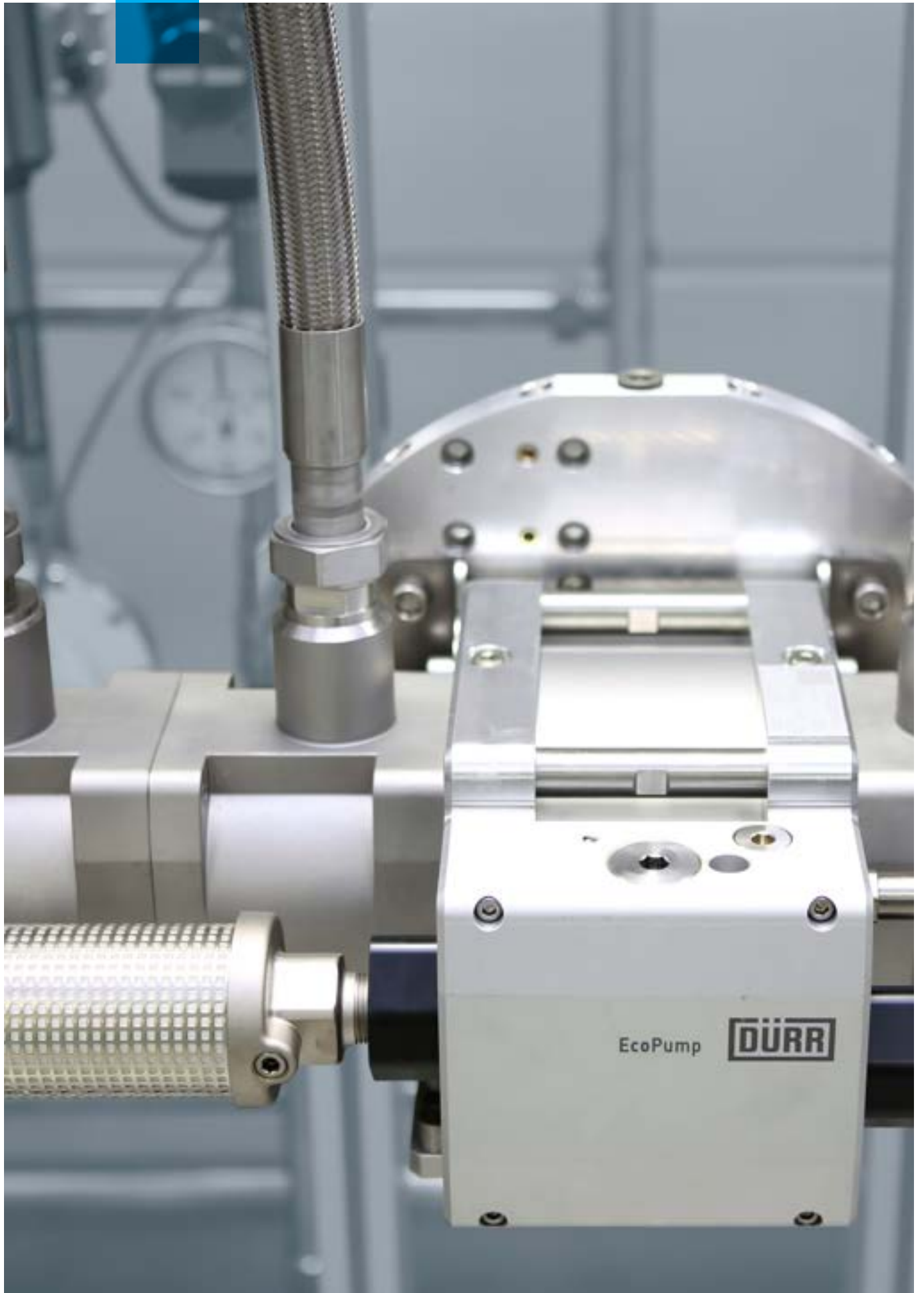


1 - EcoPaintJet Cleaner, 2 - EcoPaintJet, 3 - Robot controller, 4 - Pneumatic control unit, 5 - Master painting process control system



SELECTED ACCESSORIES

	Control unit for cleaning device	Bracket ZRG/LKRG S700
Part No.	N32220006	M19023576



03

Material supply

Product groups

Paint supply system	53
Dosing units	62
Pumps	67
RAMs	89
Fluid handling	92



Paint supply system

Product families

EcoSupply Core – low or high pressure paint delivery

EcoSupply P Core – reduction of color change losses for low pressure paint supply systems

Pressure pots – complete range of fluid supply containers

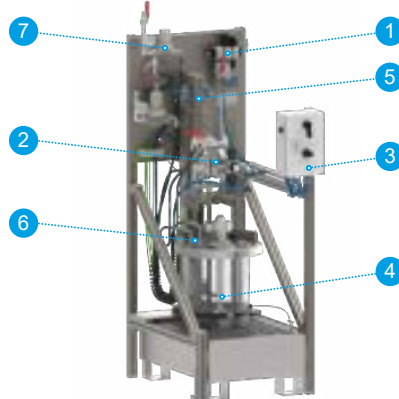
EcoSupply Core

Low or high pressure paint delivery

The **EcoSupply Core** is fully assembled and modular to fit all different customer requirements. Due to its small dimensions it is a quick and clean solution for your paint mix room and therefore also for different industries. It can be chosen between different high and low pressure pumps and a wide range of pressure regulators, filters, agitators etc. For the users comfort a later extend of options is possible.



TECHNICAL ILLUSTRATION



1 - Air inlet, 2 - EcoPump, 3 - Two-hand control panel, 4 - Agitator, 5 - Pneumatic lifter, 6 - Intake manifold and return, 7 - Outlet material regulator

PRODUCT LINE

	EcoSupply Core
Part No.	N92210001V
Dimensions HxWxL	60 l: 1,700 x 600 x 850 mm 200 l: 1,830 x 900 x 1,408 mm
Sizes	60 l, 200 l
Connector air	G3/8" (female)
Max. air pressure	6.0 bar (87 psi)
Connector outlet	G1/4" (male)
Control	2-Hand-Control
Sensor	Level, temperature



CUSTOMER BENEFITS

- Modular design for great versatility
- Two different compact sizes
- Easy to connect and to integrate
- Inner circulation for the pump system
- Wide range of accessories

TECHNICAL ILLUSTRATION

REGULATORS



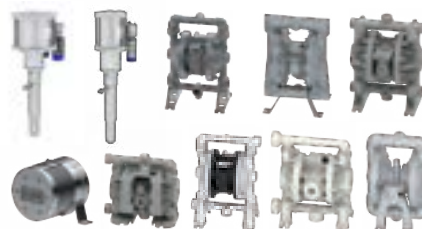
PRESSURE POT



FILTER



PUMPS



AGITATOR PROPELLERS



EcoSupply Core

Low or high pressure paint delivery

ORDER CODE

EcoSupply Core		1	2	3	4	5	6	7	8	9	10	11	12	13	14	15	16	17	18	19			
Option	Code	Option	Code	Option	Code	Option	Code	Option	Code	Option	Code	Option	Code	Option	Code	Option	Code	Option	Code	Option	Code		
1 Version		6 Drip tray		7 Suction with filter		8 Paint pressure regulator		9 Filter pump outlet		10 Level sensor		11 Runaway guard		12 Lid type		13 Surge chamber		14 Isolation for high voltage		15 Circulation		16 Back pressure regulator	
EU	EU	Galvanized	ZN	Cartridge 74 µm	C074	EcoFlow LPF M 9 2,5 G1/8" SST	LPF1	74 µm	F074	Capacitive level sensor	CS	Yes*	Y	Round without flap	RNF	Yes*	Y	Cabinet*	C	Yes	Y	EcoFlow LPR M 14 30 G3/4" SST	LPR3
US *	US	Stainless steel*	SST	Cartridge 105 µm	C105	EcoFlow LPF M 15 8 G3/8" SST G	LPF2	100 µm	F100	Capacitive limit switch	LSE	No	N	Round with flap	RWF	No	N	Table*	T	No	N	EcoFlow LPR P 16 30 G3/4" SST	LPR6
CN *	CN	No	N	Cartridge 149 µm	C149	EcoFlow LPF M 5 8 G3/8" SST G	LPF3	149 µm	F149	Analogue (intrinsically safe)*	AVS			8-Edge without flap*	ENF			None	N			None	N
2 Container				Cartridge 250 µm	C250	EcoFlow LPF P 7 2,5 G1/8" SST	LPF4	250 µm	F250	Analogue (flameproof)*	AVF			None	N								
Container < 30 l	H030			Cartridge 500 µm	C500	EcoFlow LPF P 5 8 G3/8" SST G	LPF5	500 µm	F500	None	N												
Container < 60 l	H060			Disc filter 100 µm	D100	EcoFlowLPF P 15 8 G3/8" SST G	LPF6	None	N														
Container < 200 l	H200			Disc filter 140 µm	D140	HPF M 270	HPF3																
Pressure pot 10 l	P010			Disc filter 250 µm	D250	HPF P 320	HPF4																
Pressure pot 20 l	P020			Pressurepot filter 100 µm	P100	None	N																
Pressure pot 45 l	P045			Pressurepot filter 150 µm	P150																		
Pressure pot 60 l	P060			Pressurepot filter 300 µm	P300																		
Hopper 6 l	C006			None	N																		
3 Pumps																							
EcoPump AD 72 8,3 ACE 1/4"	AD01																						
EcoPump AD 83 6,9 ACE 3/8"	AD02																						
EcoPump AD 150 6,9 SST 1/2"	AD03																						
EcoPump AD 150 6,9 ACE 1/2"	AD04																						
EcoPump AD 150 6,9 ALU 1/2"	AD05																						
EcoPump AD 600 8,3 ALU 1"	AD06																						
EcoPump AD 600 8,3 SST 1"	AD07																						
EcoPump AD 2420 8,3 SST 1 1/2"	AD08																						
EcoPump AD 150 21 SST 3/8"	AD09																						
EcoPump VP 55 200	VP01																						
EcoPump VP 55 200 UF	VP02																						
EcoPump VP 55 200 UE	VP03																						
EcoPump VP 55 310	VP04																						
EcoPump VP 55 310 UF	VP05																						
EcoPump VP 55 310 UE	VP06																						
EcoPump VP 90 280	VP10																						
EcoPump VP 90 280 UF	VP11																						
EcoPump VP 110 225	VP12																						
EcoPump VP 110 225 UF	VP13																						
None	N																						
4 Agitator																							
Air driven propeller	AA01																						
Air driven disc	AA02																						
Electrical propeller*	EA01																						
Electrical cup*	EA02																						
None	N																						
5 Lifter																							
1-Hand-control*	C01																						
2-Hand-control	C02																						
None	N																						

* Not available yet.

EcoSupply P Core

Reduction of color change losses for low pressure paint supply systems

Every color change is accompanied by a certain loss of paint. In standard supply systems flushing agents and compressed air are used to clean the hoses before the next color can be loaded. Thus, the paint loss increases according to the length and the diameter of the hose that is installed between the color changer and the atomizer. To overcome this issue, our **EcoSupply P Core** uses a so called pig, which is a kind of rubber plug, to clean the hose. As the pig may also be used to push the paint back into the container, paint losses can be reduced significantly. But also the consumption of flushing agents decreases. By means of multiple systems, one color can be used while another hose is prepared for the next color. As all other ready2integrate devices, also the **EcoSupply P Core** is equipped with a state of the art control system, which allows permanent monitoring and easy operation.



PRODUCT LINE	
	Station & control unit
Color change time	15 min
Hose inner diameter	12 mm
Flushing agent consumption per color change	approx. 9 l
Min. air pressure	6 bar (no booster required)
Pig lifetime	100 km
Max. number of distributors	4
Min. number of piggable lines	2*
Max. number of piggable lines	10 (extension cabinet required)

* Delivery always includes two line support.



CUSTOMER BENEFITS

Lower consumption of flushing agents

Significantly reduced color change paint loss

Easy operation on a state of the art control system

Combinable with existing paint supply stations

Extendable to up to 5 systems, which are controlled from the same basic cabinet.

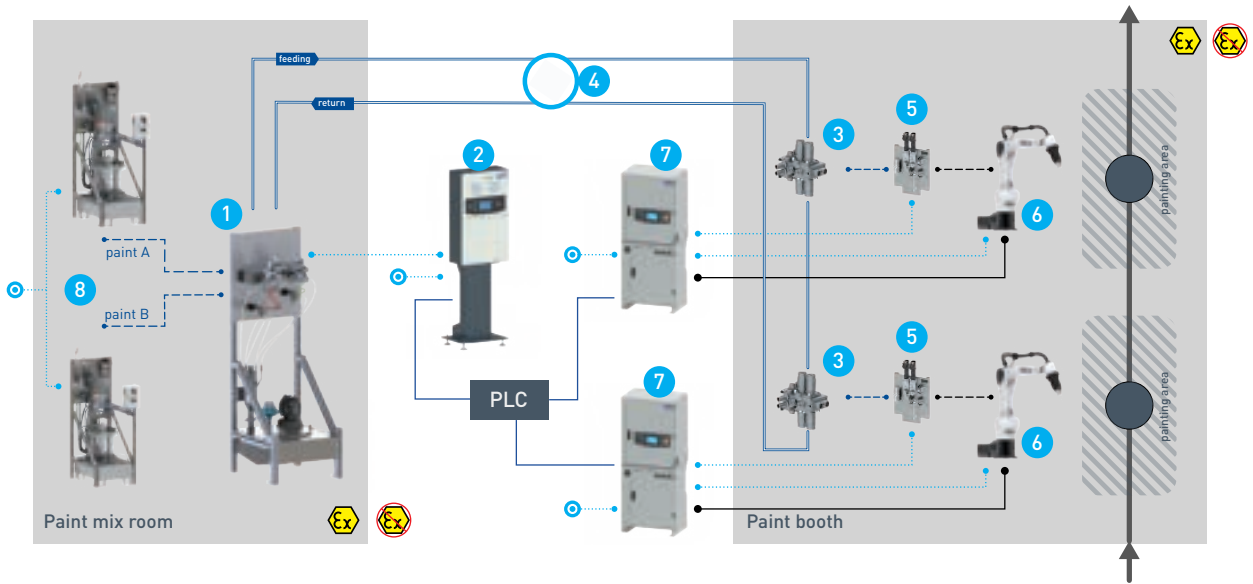


ACCESSORIES			
	Hoses	Pig	Distributor
Part No.	W40030546, W40030547, W40030548, W40030549, W40030550, W40030551, W40030552	M22200022	N53020036
Diameter	12x17 mm	DN12	DN12
Length	40, 50, 60, 70, 80, 90, 100 m	12 mm	—
Material	PFA	PE	Stainless steel
Note	—	—	Two colors support

EcoSupply P Core

Reduction of color change losses for low pressure paint supply systems

TECHNICAL ILLUSTRATION



APPLICATION COMPONENTS

- 1 Pig station
- 2 Control unit
- 3 Distributor
- 4 Pig & hose
- 5 Fluid board
- 6 Painting robot
- 7 Robot controller
- 8 Small supply system

ELECTRIC LINES

- Robot connection
- Ethernet

MEDIA

- Fluid
- Piggable hose
- Compressed air
- ⊙ Compressed air source

Pressure pots

Pressure pots with a volume of up to 60 liters

The Dürr pressure pot product group is available with or without pneumatic agitators. Pressure pots are suitable for all fluids and solvents supplying manual or automatic spray guns or other equipment. A great advantage of pressure pots is their smooth material delivery without pulsations. There is a line of pressure pots with different volumes available.



PRODUCT LINE - PRESSURE POTS WITHOUT AGITATOR

	Pressure Pot 2 Al	Pressure Pot 2 SST	Pressure Pot 10 Al	Pressure Pot 10 SST	Pressure Pot 12 SST
Part No.	N08160001V				
Volume	2 l	2 l	10 l	10 l	12 l
Material contacted by media	Aluminium	Stainless steel	Aluminium	Stainless steel	Stainless steel
Material connector	G3/8" (male)	G3/8" (male)	M14x1,5 (male)	G1/4" (male)	G1/4" (male)
Connector air inlet / outlet	G1/4" / G1/4" (male)	G1/4" / G1/4" (male)	DN8 / G1/4" (male)	G1/4" / G1/4" (male)	G1/4" / G1/4" (male)
Max. air pressure	6.0 bar (87 psi)	6.0 bar (87 psi)	6.0 bar (87 psi)	6.0 bar (87 psi)	6.0 bar (87 psi)
Max. operating pressure	3.0 bar (44 psi)	6.0 bar (87 psi)	4.5 bar (65.2 psi)	6.0 bar (87 psi)	6.0 bar (87 psi)
Certification	EU (also for CN)	EU, CN, US (ASME)	EU (also for CN)	EU (also for CN)	US (ASME)



	Pressure Pot 20 SST	Pressure Pot 22 SST	Pressure Pot 45 SST	Pressure Pot 60 SST
Part No.	N08160001V			
Volume	20 l	22 l	45 l	60 l
Material contacted by media	Stainless steel	Stainless steel	Stainless steel	Stainless steel
Material connector	G3/8" (male)	G3/8" (male)	G3/8" (male)	G3/8" (male)
Connector air inlet / outlet	G1/4" / G1/4" (male)	G1/4" / G1/4" (male)	G1/4" / G1/4" (male)	G1/4" / G1/4" (male)
Max. air pressure	6.0 bar (87 psi)	6.0 bar (87 psi)	6.0 bar (87 psi)	6.0 bar (87 psi)
Max. operating pressure	6.0 bar (87 psi)	6.0 bar (87 psi)	6.0 bar (87 psi)	6.0 bar (87 psi)
Certification	EU (also for CN)	US (ASME)	EU, CN, US (ASME)	EU, CN, US (ASME)

Note

This product contains seals made of FKM. When using materials containing solvents, we strongly recommend the use of FEP seals (see parts numbers on page no. 60). For further technical details please contact us.

Pressure pots

Pressure pots with a volume of up to 60 liters



PRODUCT LINE - PRESSURE POTS WITH AGITATOR

	Pressure Pot 10 Al	Pressure Pot 10 SST	Pressure Pot 12 SST	Pressure Pot 20 SST
Part No.	N08170001V			
Volume	10 l	10 l	12 l	20 l
Material contacted by media	Aluminium	Stainless steel	Stainless steel	Stainless steel
Material connector	M14x1,5 (male)	G1/4" (male)	G1/4" (male)	G3/8" (male)
Connector air inlet / outlet	DN8 / G1/4" (male)	G1/4" / G1/4" (male)	G1/4" / G1/4" (male)	G1/4" / G1/4" (male)
Max. air pressure	6.0 bar (87 psi)	6.0 bar (87 psi)	6.0 bar (87 psi)	6.0 bar (87 psi)
Max. operating pressure	4.5 bar (65.2 psi)	6.0 bar (87 psi)	6.0 bar (87 psi)	6.0 bar (87 psi)
Certification	EU (also for CN)	EU (also for CN)	US (ASME)	EU (also for CN)



	Pressure Pot 22 SST	Pressure Pot 45 SST	Pressure Pot 60 SST
Part No.	N08170001V		
Volume	22 l	45 l	60 l
Material contacted by media	Stainless steel	Stainless steel	Stainless steel
Material connector	G3/8" (male)	G3/8" (male)	G3/8" (male)
Connector air inlet / outlet	G1/4" / G1/4" (male)	G1/4" / G1/4" (male)	G1/4" / G1/4" (male)
Max. air pressure	6.0 bar (87 psi)	6.0 bar (87 psi)	6.0 bar (87 psi)
Max. operating pressure	6.0 bar (87 psi)	6.0 bar (87 psi)	6.0 bar (87 psi)
Certification	EN, CN, US (ASME)	EN, CN, US (ASME)	EU, CN, US (ASME)

Note

This product contains seals made of FKM. When using materials containing solvents, we strongly recommend the use of FEP seals (see parts numbers on on page no. 60). For further technical details please contact us.

Pressure pots

Pressure pots with a volume of up to 60 liters



ACCESSORIES – PRESSURE POTS

	Transport carriage	Container inside 7.5L SST	Connection lower outlet	Earthing line
Part No.	N25090026	M38060013	M01010198	E04030004
Pressure pot versions	N25090026 (10 l Al), N25090039 (10 l SST), N25090040 (12 l SST), N25090041 (20 l/22 l VA), N25090042 (45 l/60 l VA)	M38060013 (10 l Al), M38060022 (10 l SST), M38060023 (12 l SST), M38060024 (20 l SST), M38060025 (22 l SST), M38060014 (45 l SST), M38060026 (60 l SST)	M01010198 (10 l Al), M01010248 (10 l SST), M01010249 (12 l SST), M01010250 (20 l SST), M01010251 (22 l SST), M01010247 (45 l / 60 l SST)	For all pressure pot versions
Description	Allows easier carriage of pressure pot.	Inner pot made of stainless steel.	Kit for bottom material outlet. Requires transport carriage and a pressure pot without container inside.	Earthing line length 5 m with clamp, cable lug 10x5.



	Container Inliner PP for PRP 10	Handle for PRP 10 l + 20 l (set)	Quick coupling DL DN9
Part No.	M38060027	M21050182	N40060004
Pressure pot versions	Pressure Pot 10 l VA	Pressure Pot 10 l VA/20 l VA	Available for all pressure pot versions
Description	Disposable, single use inliner for a clean and quick paint change.	For an easy location change if you have short distances.	Quick coupling made of brass for an easier attachment of the air hose.

FEP SEALING KITS

	For pressure pots with and without agitator
Part No.	M08810222 (2L AL) M08810223 (2L, SST) M08810221 (10L, SST) N08960003 (10L, AL) M08810220 (12L, SST) M08810219 (20L, SST) M08810218 (22L, SST) M08810217 (40 + 60L, SST)
Description	Sealing suitable for solvent based materials.

Pressure pots

Pressure pots with a volume of up to 60 liters

ORDER CODE – WITHOUT AGITATOR

PPN			
Option	Code	Code	Option
Version			Level sensor
EU	EU	ES	Empty switch
US (ASME)	US	CS	Capacitive sensor
China	CN	N	None
Volume			Container use
2 l	2	Y	Yes
10 l	10	N	No
12 l	12		No. of additional regulators
20 l	20	0R	0
22 l	22	1R	1
45 l	45	2R	2
60 l	60		Lower material outlet
Operating pressure max.		N	None
3 bar	3	PL	Plug
4.5 bar	4		Upper material outlet
6 bar	6	1C	1 Connector
Material		2C	2 Connectors
Aluminium (only for 2 & 10 l)	AL		
Stainless steel*	SST		

* Not available for 2 l pressure pots.

ORDER CODE – WITH AGITATOR

PPA			
Option	Code	Code	Option
Version			Level sensor
EU	EU	ES	Empty switch
US (ASME)	US	CS	Capacitive sensor
China	CN	N	None
Volume			Container use
10 l	10	Y	Yes
12 l	12	N	No
20 l	20		No. of additional regulators
22 l	22	0R	0
45 l	45	1R	1
60 l	60	2R	2
Agitator			Lower material outlet
Pneumatic	PN	PL	Plug
Electric	EL		Upper material outlet
Manual	MAN	1C	1 Connector
Operating pressure max.		2C	2 Connectors
4.5 bar	4		
6 bar	6		
Material			
Aluminium	AL		
Stainless steel*	SST		

* Not available for 2 l pressure pots.



Dosing units

Solution for 2K and 3K paint application

Product families

EcoDose 2K – dosing units for two component materials

EcoDose 3K – dosing units for three component materials

EcoDose 2K

Dosing units for two component materials

The Dürr **EcoDose 2K** unit is an electronic dosing system suitable for high and low pressure applications. It can be used in manual and automatic processes. Optimized for quick color changes and easy flushing, it enhances resource utilization and contributes to higher application efficiency. Fluids are measured consistently and precisely, even media with different viscosities. Typical fluids handled are 1K or 2K materials, water and solvent-borne paints, varnishes, lacquers and monolayer paints.



TECHNICAL ILLUSTRATION

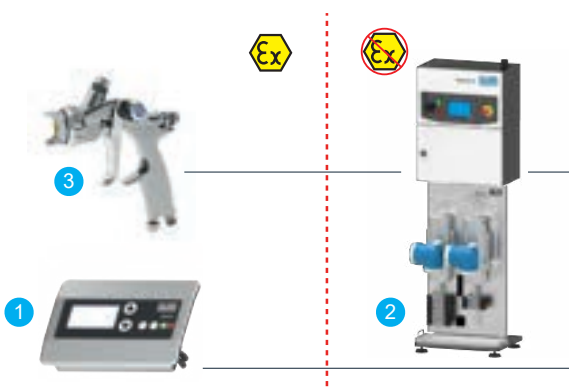
	EcoDose 2K
Part No.	N10100003V
Max. fluid pressure	20 / 200 bar (290 / 2,900 psi)
Flow meter type	Coriolis / Gear wheel
Density measuring	Yes (Coriolis only) - upon request
Temperature measurement	Yes (Coriolis only) - upon request

ACCESSORIES



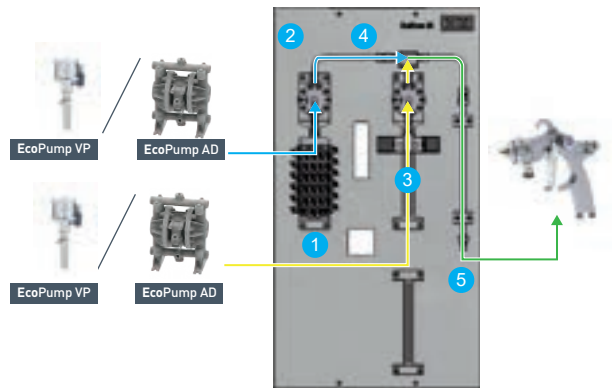
	EcoPUC A
Part No.	F30900003
Description	Remote control in Ex zone (loading, purging, receipt change, alarms display and reset).

CONNECTION SCHEME



1 - EcoPUC, 2 - EcoDose 2K, 3 - EcoGun

TECHNICAL ILLUSTRATION



Material mixing principle

- 1 - Paint valve, 2 - Measured paint amount, 3 - Catalyst valve,
- 4 - Preset amount of catalyst measured, 5 - Static mixing of the paint and catalyst



CUSTOMER BENEFITS

- Flow rate measurement by coriolis or gear flow meter
- Exact volume controlled dosing of both components
- High and constant mixing ratio accuracy
- Monitoring of all dosing functions such as pot life, catalyst ratio and components A & B with dedicated alarm
- Automatic color change controlled by volume
- Independent flushing circuits for both components
- No premixing chamber
- Smooth start-up procedure
- Intuitive user interface for quick programming of individual settings
- High process reliability
- Different flow meter types for A and B component
- Optional remote maintenance (via network)

EcoDose 2K

Dosing units for two component materials

ORDER CODE

EcoDose 2K			
Option	Code	Code	Option
Pressure range *		Version	
Low pressure (max. 20 bar)	20	EU	EU
High pressure (max. 160 / 200 bar)	200	US	US
Application process		Closed loop flow control	
Standard Mode	MG	Y	Yes
Design		N	No
Mounted on stand	S	Preparation for dump valve	
Remote fluid sect., stand	RS	Y	Yes
Remote fluid sect., no stand	RNS	N	No
Isolation for high tension		Preparation remote diagnosis	
No	N	Y	Yes **
Drip tray		N	No
No	N	Remote control	
Yes	Y	N	None
Filter compressed air inlet		M	Magnetic switch box (Non Ex)
None	N	I	EcoPUC A (Intrinsically safe - Ex)
5 µm	F5	Preparation EcoGun Cleaner M	
Signal tower		1GC	1 EcoGun Cleaner M
None	N	2GC	2 EcoGun Cleaner M
Three colors	ST	N	None
Flow control type comp. A ***		No. of controlled atomizers	
Gear 0.005..2 l/min	GF1	1A	1
Gear 0.02..3 l/min	GF2	2A	2
Coriolis (160 bar)	CF1	Color flow regulator	
Coriolis (200 bar)	CF2	N	None
Flow control type comp. B ***		P25	Pneumatic 2.5 l/min
Gear 0.005..2 l/min	GF1	Mixing ratio	
Gear 0.02..3 l/min	GF2	LR	< 10:1
Coriolis (160 bar)	CF1	HR	> 10:1
Coriolis (200 bar)	CF2	No. of component A - deadend (colors)	
No. of component B - deadend (catalyst)		1-10	2/4/6/8/10 (20bar) 1/3/5/7/9 (160/200bar) ****
1	1	No. of component A - circulation (colors)	
3	3	2-10	2/4/6/8/10 (20bar) ****

* high pressure system available with Coriolis 160 bar or 200 bar

** GSM card not scope of supply

*** available also with mixed configuration of flow control (coriolis and gear flow meter)

**** max. 10 colors in combination circulation and deadend (20bar) possible

EcoDose 3K

Dosing units for three component materials

The Dürr **EcoDose 3K** unit is an electronic dosing system suitable for high and low pressure applications. It can be used in manual and automatic processes. Optimized for quick color changes and easy flushing, it enhances resource utilization and contributes to higher application efficiency. Fluids are measured consistently and precisely, even media with different viscosities. Typical fluids handled are 1K, 2K or 3K materials, water and solvent-borne paints, varnishes, lacquers and monolayer paints.

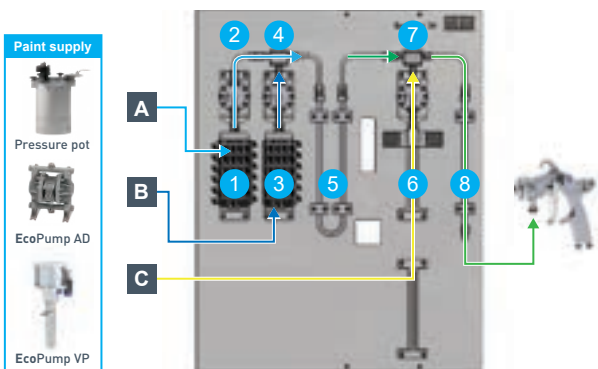


PRODUCT LINE	
	EcoDose 3K
Part No.	N10110001V
Max. fluid pressure	20 / 200 bar (290 / 2,900 psi)
Flow meter type	Coriolis / Gear wheel
Density measuring	Yes (Coriolis only) - upon request
Temperature measurement	Yes (Coriolis only) - upon request

ACCESSORIES	
	EcoPUC A
Part No.	F30900003
Description	Remote control in Ex zone (loading, purging, receipt change, alarms display and reset).



TECHNICAL ILLUSTRATION



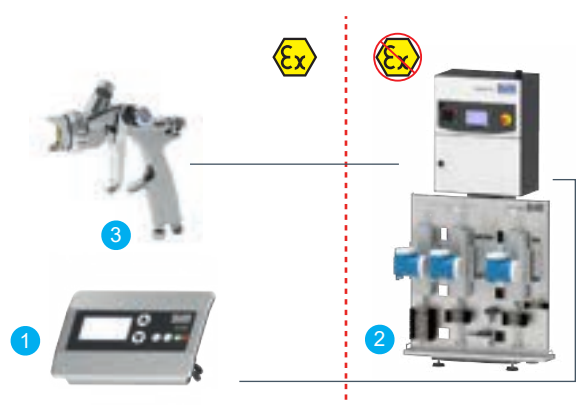
Material mixing principle
 1 - Paint valve A, 2 - Measured paint A amount, 3 - Paint valve B, 4 - Measured paint B amount, 5 - Static mixing of the paint A and paint B, 6 - Catalyst valve, 7 - Preset amount of catalyst measured, 8 - Static mixing of the paint A+B and catalyst

➔

CUSTOMER BENEFITS

- [Flow rate measurement by coriolis or gear flowmeter](#)
- [Exact volume controlled dosing of all three components](#)
- [High and constant mixing ratio accuracy](#)
- [Monitoring of all dosing functions such as pot life, catalyst ratio and components A & B & C with dedicated alarm](#)
- [Automatic color change controlled by volume](#)
- [Independent flushing circuits for both components](#)
- [No premixing chamber](#)
- [Smooth start-up procedure](#)
- [Intuitive user interface for quick programming of individual settings](#)
- [High process reliability](#)
- [Different flowmeter types for A, B and C component](#)
- [Optional remote maintenance \(via network\)](#)

CONNECTION SCHEME



1 - EcoPUC, 2 - EcoDose 3K, 3 - EcoGun

EcoDose 3K

Dosing units for three component materials

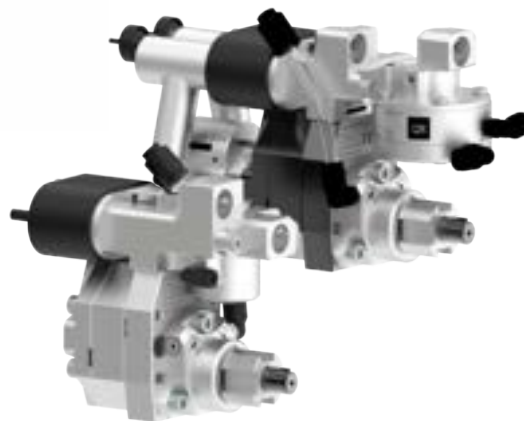
EcoDose 3K		Code	Option
Option	Code		
Pressure range *			Version
Low pressure (max. 20 bar)	20	EU	EU
High pressure (max. 160 / 200 bar)	200	US	US
Application process			Closed loop flow control
Standard Mode	MG	Y	Yes
Design		N	No
Mounted on stand	S		Preparation for dump valve
Remote fluid sect., stand	RS	Y	Yes
Remote fluid sect., no stand	RNS	N	None
Isolation for high tension			Preparation remote diagnosis
No	N	Y	Yes **
Drip tray		N	None
No	N		Remote control
Yes	Y	N	None
Filter compressed air inlet		M	Magnetic switch box (Non Ex)
None	N	I	EcoPUC A (Intrinsically safe - Ex)
5 µm	F5		Preparation EcoGun Cleaner M
Signal tower		1GC	1 EcoGun Cleaner M
None	N	2GC	2 EcoGun Cleaner M
Three colors	ST	N	None
Flow control type comp. A ***			No. of controlled atomizers
Gear 0.005..2 l/min	GF1	1	1
Gear 0.02..3 l/min	GF2	2	2
Coriolis (160 bar)	CF1		Color flow regulator
Coriolis (200 bar)	CF2	N	None
Flow control type comp. B ***		P25	Pneumatic 2.5 l/min
Gear 0.005..2 l/min	GF1		Mixing ratio
Gear 0.02..3 l/min	GF2	LR	< 10:1
Coriolis (160 bar)	CF1	HR	> 10:1
Coriolis (200 bar)	CF2		No. of component A - deadend (colors)
Flow control type comp. C ***		2-10	2/4/6/8/10 (20bar) 1/3/5/7/9 (160/200bar) ****
Gear 0.005..2 l/min	GF1		No. of component A - circulation (colors)
Gear 0.02..3 l/min	GF2	2-10	2/4/6/8/10 (20bar) ****
Coriolis (160 bar)	CF1		No. of component B - deadend
Coriolis (200 bar)	CF2	1	1
No. of component C - deadend		3	3
1	1		
3	3		

* high pressure system available with Coriolis 160 bar or 200 bar

** GSM card not scope of supply

*** available also with mixed configuration of flow control (coriolis and gear flow meter)

**** max. 10 colors in combination circulation and deadend (20bar) possible



Pumps

Pump solutions for any kind of application

Product families

- EcoPump HP** - air operated horizontal piston pumps
- EcoPump HPE** - electrical operated horizontal piston pumps
- EcoPump VP** - air operated vertical piston pumps
- EcoPump VPS** - air operated vertical shovel plate pumps
- EcoPump AD** - air operated diaphragm pumps
- EcoPump9 GW** - gear wheel dosing pumps
- EcoPump Packages** - ready to use sets

EcoPump HP

Air operated horizontal piston pumps

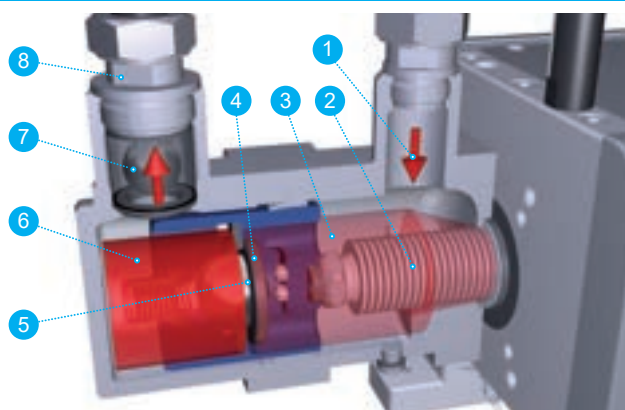
The **EcoPump HP** is an air driven horizontal piston pump. It has been manufactured and tested according to Dürr's well-proven quality standards. Performance and durability are further distinguishing characteristics in order to meet the highest demands. With a concealed shaft seal this **EcoPump HP** is primarily designed for paint circulation systems as well as fluid transfer and supply. A horizontal two piston design guarantees equal thrust on both strokes and a rapid pump change-over with a quick release valve for reduced surge. Its modular design enables easy maintenance. Typically handled fluids are water and solvent-borne paints, varnishes, enamels and lacquers.



PRODUCT LINE			
	EcoPump HP 400 21	EcoPump HP 800 21	EcoPump HP 1600 21
Part No.	N24160008	N24160009	N24160010
Weight	45.0 kg	54.4 kg	94.0 kg
Connector inlet / outlet	EcoTube DN25 (female) *	EcoTube DN25 (female) *	EcoTube DN25 (female)*
Connector air	G3/8" (female)	G3/8" (female)	G3/4" (female)
Displacement	400 cc/cycle	800 cc/cycle	1,600 cc/cycle
Ratio	3.5:1	3.5:1	3.5:1
Max. fluid pressure	21 bar (305 psi)	21 bar (305 psi)	21 bar (305 psi)
Flow rate @ rec. cycles	8 l/min (2.1 gal/m)	16 l/min (4.2 gal/m)	32 l/min (8.5 gal/m)
Recommended cycles	20 cyc/min **	20 cyc/min **	20 cyc/min **
Max. air pressure	6.0 bar (87 psi)	6.0 bar (87 psi)	6.0 bar (87 psi)

* Sanitary type fluid ports are available as an option. ** Cycles for continuous operation and partial load.

TECHNICAL ILLUSTRATION



HP & HPE pump principle
 1 - Material inlet, 2 - Bellows, 3 - Material suction chamber, 4 - Piston, 5 - Piston ball seat, 6 - Material outlet chamber, 7 - Material outlet ball seat, 8 - Material outlet



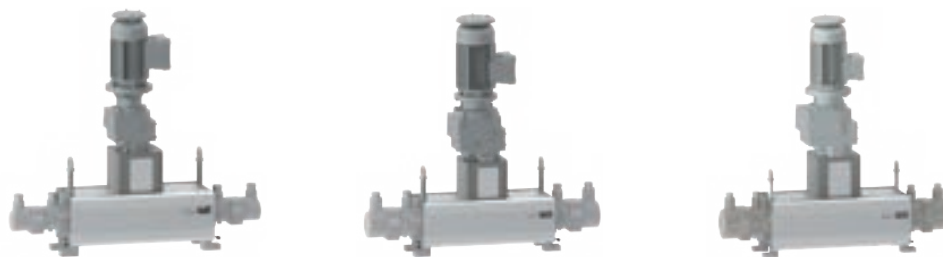
CUSTOMER BENEFITS

- Balanced pressure variations
- Stainless steel fluid section
- Tested according to DIN EN 12162 and well-proven Dürr quality standards
- Low icing by thermal isolation of the muffler and optimized air flow
- Four-ball design
- No exposed shaft seal
- Lubricant free
- Horizontal two-piston design guarantees equal thrust on both strokes
- Rapid pump change-over with quick release valve for reduced surge
- Modular pump design, easy to maintain
- Wide range of accessories available

EcoPump HPE

Electrical operated horizontal piston pumps

The **EcoPump HPE** is a horizontal piston pump with an electric drive to achieve superior performance with lower operating costs. It has been manufactured according to Dürr's well-proven quality standards. Durability and reliability are further distinguishing characteristics in order to meet the highest demands. With a concealed shaft seal the **EcoPump HPE** is primarily designed for paint circulation systems as well as fluid transfer and supply. A horizontal two piston design guarantees equal thrust on both strokes. Its modular design enables easy maintenance. Typically handled fluids include water and solvent-borne paints, varnishes, enamels and lacquers. The **EcoPump HPE** has been tested according to DIN EN 12162.



PRODUCT LINE			
	EcoPump HPE 400 21	EcoPump HPE 800 21	EcoPump HPE 1600 21
Part No.	N24260021	N24260022	N24260023
Weight	158 kg	188 kg	340 kg
Connector inlet / outlet	EcoTube DN25 (male) *	EcoTube DN25 (male) *	EcoTube DN25 (male) *
Displacement	400 cc/cycle	800 cc/cycle	1,600 cc/cycle
Parts contacted by media	Stainless steel	Stainless steel	Stainless steel
Max. fluid pressure	21 bar (305 psi)	21 bar (305 psi)	21 bar (305 psi)
Flow rate @ rec. cycles	8 l/min (2.1 gal/m) **	16 l/min (4.2 gal/m) **	32 l/min (8.4 gal/m) **
Rated power	0.75 kW	1.50 kW	3.00 kW

* Sanitary type fluid ports are available as an option. ** Cycles for continuous operation and partial load.

TECHNICAL ILLUSTRATION

HP & HPE pump principle
 1 - Material inlet, 2 - Bellows, 3 - Material suction chamber, 4 - Piston, 5 - Piston ball seat, 6 - Material outlet chamber, 7 - Material outlet ball seat, 8 - Material outlet

➔

CUSTOMER BENEFITS

- [Tested according to DIN EN 12162 and well-proven Dürr quality standards](#)
- [Electrical drive provides superior performance with lower operating costs](#)
- [Stainless steel fluid sections](#)
- [Four-ball design](#)
- [No exposed shaft seal](#)
- [Lubricant free](#)
- [Horizontal two-piston design guarantees equal thrust on both strokes](#)
- [Modular pump design, easy to maintain](#)
- [ATEX Ex II 2G Ex h IIA T4 Gb X](#)

EcoPump HPE

Electrical operated horizontal piston pumps



PRODUCT LINE

	EcoPump HPE 400 21 US EcoPump HPE 400 21 UHM PTF KR EcoPump HPE 400 21 UHM PTF JP	EcoPump HPE 800 21 US EcoPump HPE 800 21 UHM PTF KR EcoPump HPE 800 21 UHM PTF JP	EcoPump HPE 1600 21 UHM PTF US EcoPump HPE 1600 21 UHM PTF KR EcoPump HPE 1600 21 UHM PTF JP
Part No.	N24260005, N24260014, N24260017	N24260006, N24260015, N24260018	N24260007, N24260016, N24260019
Weight	154 kg	186 kg	370 kg
Connector inlet / outlet	EcoTube DN25 (male) *	EcoTube DN25 (male) *	EcoTube DN25 (male) *
Displacement	400 cc/cycle	800 cc/cycle	1,600 cc/cycle
Parts contacted by media	Stainless steel	Stainless steel	Stainless steel
Max. fluid pressure	21 bar (305 psi)	21 bar (305 psi)	21 bar (305 psi)
Flow rate @ rec. cycles	8 l/min (2.1 gal/m) **	16 l/min (4.2 gal/m) **	32 l/min (8.4 gal/m) **
Rated power	1.12 kW	1.50 kW	3.7 kW

* Sanitary type fluid ports are available as an option. ** Cycles for continuous operation and partial load.

EcoPump VP

Air operated vertical piston pumps

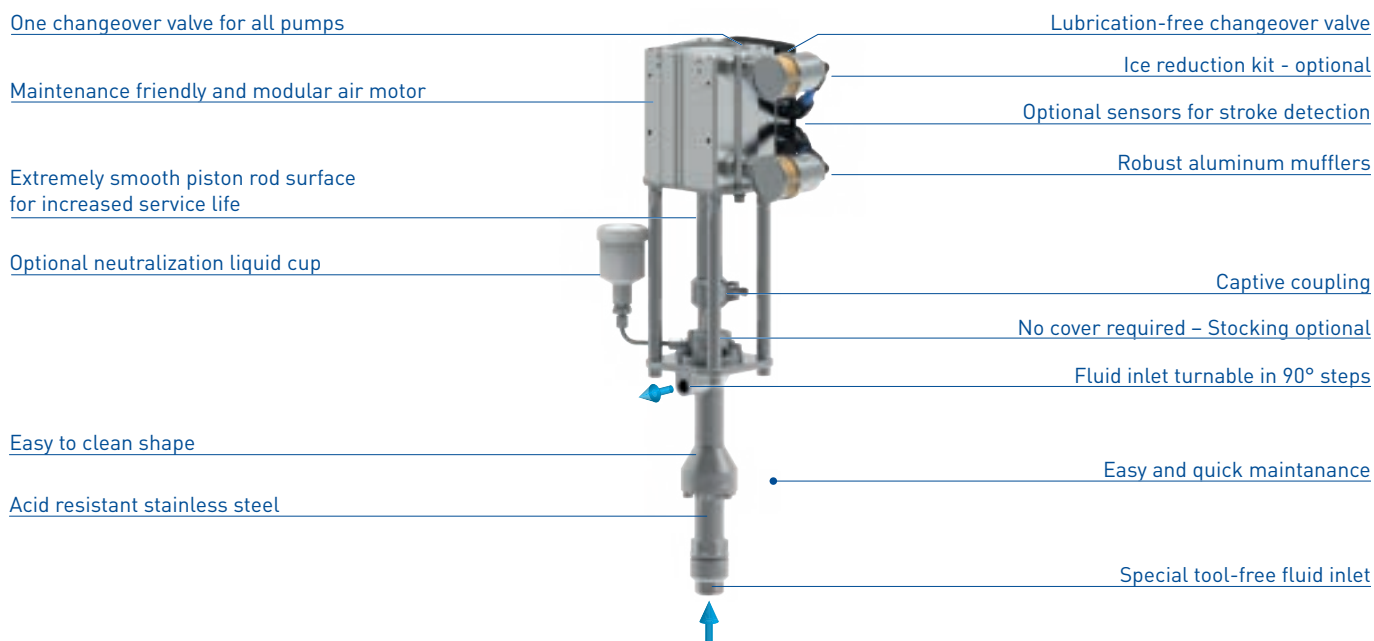
The **EcoPump VP** is a pneumatically driven vertical piston pump for medium and high pressure applications. Proven design and long term durability make these pumps the perfect choice for small and middle applications of paint, mastics and adhesives to furniture, steel structures or walls and other objects. The **EcoPump VP** is suitable for airless or air-assist application and is available in numerous configurations with various air inlet modules, pressure relief valves, trolleys and adjacent devices.



PRODUCT LINE					
	EcoPump2 VP 40 230	EcoPump2 VP 80 120	EcoPump2 VP 80 300	EcoPump2 VP 120 80	EcoPump2 VP 120 200
Part No.	N24170034	N24170035	N24170036	N24170037	N24170039
Weight	16.7 kg	19.5 kg	28.5 kg	22.5 kg	31.5 kg
Transmission Ratio	33:1	17:1	44:1	11:1	29:1
Volume/Cycle	40 cc/cycle	80 cc/cycle	80 cc/cycle	120 cc/cycle	120 cc/cycle
Flow Rate max. (durable)	0.8 l/min	1.6 l/min	1.6 l/min	2.4 l/min	2.4 l/min
Material pressure max.	230 bar (3336 psi)	120 bar (1740 psi)	300 bar (4351 psi)	80 bar (1160 psi)	200 bar (2901 psi)
Connection Outlet	G3/8"	G3/8"	G3/8"	G3/8"	G3/8"
Air pressure max.	7.0 bar (87 psi)	7.0 bar (87 psi)	7.0 bar (87 psi)	7.0 bar (87 psi)	7.0 bar (87 psi)
Operating Temp. max.	10 - 60 °C (50 - 140 °F)	10 - 60 °C (50 - 140 °F)	10 - 60 °C (50 - 140 °F)	10 - 60 °C (50 - 140 °F)	10 - 60 °C (50 - 140 °F)

* Cycles for continuous operation and partial load.

TECHNICAL ILLUSTRATION



EcoPump VP

Air operated vertical piston pumps



PRODUCT LINE					
	EcoPump VP 55 200	EcoPump VP 55 310	EcoPump VP 55 445	EcoPump VP 90 280	EcoPump VP 110 225
Part No.	N24170005 N24170015 - UF N24170016 - UE	N24170006 N24170017 - UF N24170018 - UE	N24170007 N24170019 - UF N24170020 - UE	N24170008 N24170021 - UF	N24170009 N24170022 - UF
Weight	12.9 kg	14.4 kg	16.8 kg	18.7 kg	18.7 kg
Connector inlet / outlet	M30x1.5 / M16x1.5 (male)	M30 / M16x1.5 (male)	M30 / M16x1.5 (male)	M30 / M16x1.5 (male)	M30 x 1,5 / M16x1.5 (male)
Connector air	G3/8" (male)	G1/2" (male)	G1/2" (male)	G1/2" (male)	G1/2" (male)
Displacement	55 cc/cycle	55 cc/cycle	55 cc/cycle	90 cc/cycle	110 cc/cycle
Ratio	25:1	39:1	64:1	40:1	32:1
Max. fluid pressure	200 bar (2,900 psi)	310 bar (4,495 psi)	445 bar (6,450 psi)	280 bar (4,060 psi)	225 bar (3,260 psi)
Flow rate @ rec. cycles	1.375 l/min (0.355 gal/m)	1.10 l/min (0.29 gal/m)	0.99 l/min (0.26 gal/m)	1.62 l/min (0.43 gal/m)	1.98 l/min (0.52 gal/m)
Recommended cycles*	25 cyc/min	20 cyc/min	18 cyc/min	18 cyc/min	18 cyc/min
Max. air pressure	8.0 bar (116 psi)	8.0 bar (116 psi)	7.0 bar (101 psi)	7.0 bar (101 psi)	7.0 bar (101 psi)

* Cycles for continuous operation and partial load.

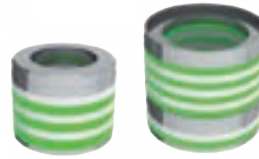


	EcoPump VP 500 180 SST PU	EcoPump VP 500 270 SST PU	EcoPump VP 250 360 SST PU	EcoPump VP 250 360 SST PU	EcoPump VP 1000 90 SST PU
Part No.	N24170027	N24170028	N24170025 N24170026 - PE packing	N24170014	N24170030
Weight	83.9 kg	103.4 kg	56.1 kg	89.0 kg	123.0kg
Connector inlet / outlet	G2" / G1½" (female)	G2" / G1½" (female)	G1½" / G1" (female)	G2" / G1½" (female)	G2" / G1½" (female)
Connector air	G3/4" (female)	G3/4" (female)	G3/4" (female)	G3/4" (female)	G3/4" (female)
Displacement	500 cc/cycle	500 cc/cycle	250 cc/cycle	1,000 cc/cycle	1,000 cc/cycle
Ratio	30:1	45:1	60:1	15:1	23:1
Max. fluid pressure	180 bar (2,611 psi)	270 bar (3,915 psi)	360 bar (5,220 psi)	90 bar (1,305 psi)	135 bar (1,958 psi)
Flow rate @ rec. cycles	5 l/min (1.32 gal/m)	5 l/min (1.32 gal/m)	2.5 l/min (0.66 gal/m)	10 l/min (2.6 gal/m)	10 l/min (2.6 gal/m)
Recommended cycles*	10 cyc/min	10 cyc/min	10 cyc/min	10 cyc/min	10 cyc/min
Max. air pressure	6.0 bar (87psi)	6.0 bar (87psi)	6.0 bar (87 psi)	6.0 bar (87 psi)	6.0 bar (87 psi)

* Cycles for continuous operation and partial load.

EcoPump VP

Air operated vertical piston pumps



VP PUMP PACKING

	Standard	UF	UE
Part No.	N24960039 + N24960040 (P55) N24960041 + N24960042 (P90) N24960043 + N24960044 (P110)	N24960055 + N24960056 (P55 - UF) N24960058 + N24960059 (P90 - UF)	N24960054 + N24960057 (P55 - UE)
Usage	Standard paints or other materials.	2K media (mixed resin and catalyst).	Abrasive materials like zinc or aluminium paints.
Material	Leather, PTFE	PTFE, PE-UHMW	PTFE with 15% graphite, PE-UHMW



	PU
Part No.	N24960070 + N24960071 for EcoPump VP 250 360 (N24170025)
Usage	Water-borne paint and water-borne wax, acidic catalysts.
Material	PU, EPDM, PTFE, Brass

EcoPump VPS

Air operated vertical shovel plate pump

The **EcoPump VPS** is an air operated shovel plate pump for medium to high viscosity fluids as glues, oils or wax. Its modular design allows an easy maintenance and with its optimized fluid part the material will be pumped considerably. The proven design and a long term durability make these pumps the perfect choice in the high viscosity application.



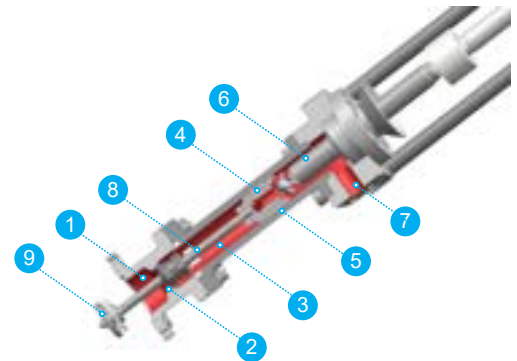
CUSTOMER BENEFITS

- [No exposed shaft seal](#)
- [Stainless steel fluid sections](#)
- [Modular pump design](#)
- [Easy to maintain](#)

PRODUCT LINE

	EcoPump VPS 210 360 SST PE/PU
Part No.	N24270005
Weight	48.5 kg
Connector inlet / outlet	Flanged screw fitting / SAE Flange
Connector air	G3/4" (female)
Displacement	210 cc/cyc
Ratio	72:1
Max. fluid pressure	360 bar (5,220 psi)
Flow rate @ rec. cycles	1.7 l/min (0.45 gal/min)
Recommended cycles	8 cyc/min
Max. air pressure	5.0 bar (73 psi)

TECHNICAL ILLUSTRATION



1 - Material inlet, 2 - Suction ball seat, 3 - Material suction chamber, 4 - Piston ball seat, 5 - Material outlet chamber, 6 - Upper piston, 7 - Material outlet, 8 - Lower piston, 9 - Shovel plate

EcoPump AD

Air operated diaphragm pumps

A wide choice of materials for the pump housing makes the **EcoPump AD** the best solution for different kinds of fluid handling such as abrasive and particle containing fluids. The typical field of application of the **EcoPump AD** is to handle oil, water, waste liquids with and without solid particle debris, water and solvent-borne paints, varnishes, enamels and lacquers. The **EcoPump AD** pump will operate in circulation or direct fluid delivery mode. The simple design of **EcoPump AD** allows easy maintenance and service.



PRODUCT LINE			
	EcoPump AD 150 21 SST 3/8"	EcoPump AD 72 8 ACE 1/4"	EcoPump AD 83 6,9 ACE PTFE 3/8"
Part No.	N24140013	N24140005	N24140006
Weight	19.8 kg	1.6 kg	1.9 kg
Connector inlet / outlet	G3/8" / G3/4" (female)	G1/4" (female)	G3/8" (female)
Connector air	G1/4" (female)	1/4" NPT (female)	1/4" NPT (female)
Displacement	150 cc/cycle	72 cc/cycle	83 cc/cycle
Ratio	3:1	1:1	1:1
Max. fluid pressure	21 bar (305 psi)	8.6 bar (125 psi)	6.9 bar (100 psi)
Flow rate durable	1.5 l/min (0.39 gal/min)	6.5 l/min (1.7 gal/min)	13 l/min (3.4 gal/min)
Parts contacted by media	Stainless steel, PTFE	Acetal, PTFE	Acetal, PTFE



	EcoPump AD 150 6,9 SST PTFE 1/2"	EcoPump AD 150 7 ACE 1/2"	EcoPump AD 150 7 ALU 1/2"
Part No.	N24140007	N24140008	N24140009
Weight	6.6 kg	4.0 kg	3.8 kg
Connector inlet / outlet	G1/2" (female)	1/2" NPT (female)	G1/2" (female)
Connector air	1/4" NPT (female)	1/4" NPT (female)	1/4" NPT (female)
Displacement	150 cc/cycle	150 cc/cycle	150 cc/cycle
Ratio	1:1	1:1	1:1
Max. fluid pressure	6.9 bar (100 psi)	6.9 bar (100 psi)	6.9 bar (100 psi)
Flow rate durable	16 l/min (4.2 gal/min)	16 l/min (4.2 gal/min)	16 l/min (4.2 gal/min)
Parts contacted by media	Stainless steel, PTFE	Acetal, PTFE	Stainless steel, Al, PTFE

EcoPump AD

Air operated diaphragm pumps



PRODUCT LINE

	EcoPump AD 600 8 SST 1"	EcoPump AD 600 8 ALU 1"	EcoPump AD 2420 8 SST 1 1/2"
Part No.	N24140004	N24140010	N24140011
Weight	16.3 kg	8.6 kg	38.3 kg
Connector inlet / outlet	G1" (female)	G1" (female)	G1½" (female)
Connector air	1/4" NPT (female)	1/4" NPT (female)	1/2" NPT (female)
Displacement	600 cc/cycle	600 cc/cycle	2,420 cc/cycle
Ratio	1:1	1:1	1:1
Max. fluid pressure	8.3 bar (120 psi)	8.3 bar (120 psi)	8.3 bar (120 psi)
Flow rate durable	44 l/min (11.6 gal/min)	44 l/min (11.6 gal/min)	121 l/min (31.96 gal/min)
Parts contacted by media	Stainless steel, PTFE	Stainless steel, Al, PTFE	Stainless steel, PTFE



CUSTOMER BENEFITS

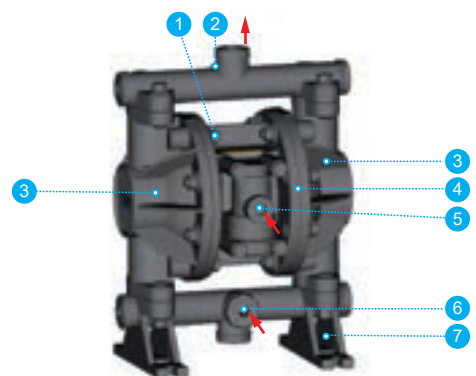
Selected choice of materials for housing

Easy maintenance and service

Highly flushable

Suitable for abrasive fluids and media containing solids

TECHNICAL ILLUSTRATION



1 - Type plate (back), 2 - Pressure side connection for material supply (rear side), 3 - Material assembly, 4 - Pneumatic assembly, 5 - Compressed air connection, 6 - Suction side connection for material supply, 7 - Mounting feet

EcoPump9 GW 20

Gear wheel dosing pumps

The **EcoPump9 GW** is a highly efficient gear wheel pump, cavity-free in a compact configuration, achieving a perfect color change with a very low purging time. It has been manufactured and tested in compliance to Dürr's well-proven quality standards. Based on decades of experience in the area of paint application, the **EcoPump9 GW** has emerged as the perfect device for 1K and 2K dosing of water and solvent-borne paint.



PRODUCT LINE

	EcoPump9 GW
Part No.	N24190001V
Flow per revolution	0.45-4.5 cm ³
Min. / Max. speed	20 / 200 rpm
Connector inlet / outlet	Dürr paint fitting
Max. fluid pressure	20 bar (290 psi)
Dosing accuracy (+/-)	2.0%
Bypass	Optional
Overpressure valve	Optional
Pressure sensor	Optional
DLC coating	included in pump size 3 and 4.5 cm ³



CUSTOMER BENEFITS

Low installation space required due to small footprint

Minimal purging time

Targeted purging of the shafts and bearing bore by patented wash-up system

Fast pre-paint bypass valve (with purgeable pump)

High stability due to patented construction

Usage of hardened stainless steel with DLC coating to reduce friction and abrasion

Modular pump concept

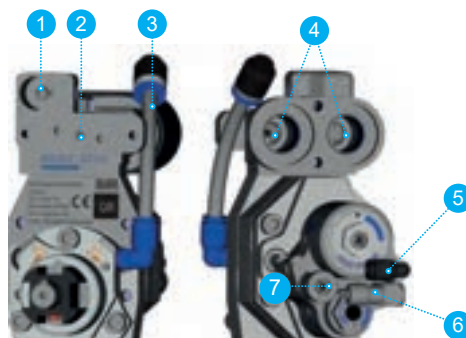
Quick disassembly of paint hoses

Large operating range

Simplified service & maintenance

Tested according to Dürr quality standards

TECHNICAL ILLUSTRATION



1 - Material outlet „PA“, 2 - Material inlet „PE“, 3 - Fluid receiver, 4 - Hole of the pressure sensor, 5 - Control air for diaphragm valve, 6 - Control air valve, 7 - Rinsing agent connection

EcoPump9 GW 20

Gear wheel dosing pumps

ORDER CODE

EcoPump9 GW 20		Code	Option
Option		Code	Option
Maximum conveying capacity			Liquid seal
90 ml/min, not purgeable	045	W	Water purging agent
200 ml/min, not purgeable	100	M	Mesamol
400 ml/min, not purgeable	200	B	Butylglycol
600 ml/min, not purgeable	300	N	None
900 ml/min, not purgeable	450		Paint duct
600 ml/min, purgeable	F300	A	A-Channel
900 ml/min, purgeable	F450	B	B-Channel
Sensors pump			Spacer
Pressure sensors w. cable, IP	P	S	Yes
Pressure sensors, High tension	HT	NS	No
None	N		Bypass
Paint pressure regulator		1H	Yes (non purgeable pump)
1:1 max. 8 bar	8	H	Yes (purgeable pump)
1:1 max. 8 bar ceramics	8C	N1H	No
2:1 max. 16 bar	16		
None	D13		



ACCESSORIES - GEAR WHEEL PUMPS

	Gear unit GW 20 w/o drive EC	Gear unit GW 20 w/o drive IC	Digital servomotor 0,8Nm 9000rpm	Digital servomotor 0,8Nm 9000U 2G	Digital servomotor 0,8Nm 9000U UL
Part No.	N10190001	N10190002	N23150057	N23150066	N23150067
Compatible pumps	all GW pumps	all GW pumps	all GW pumps	all GW pumps	all GW pumps
Description	Non-isolated transmission unit to connect servomotor with gear wheel pump. Suitable for external charge or solvent-borne installations.	Isolated transmission unit to connect servomotor with gear wheel pump. Suitable for direct charge installations.	Servomotor for actuation of gear wheel pumps.	Servomotor for actuation of gear wheel pumps. Ex certification.	Servomotor for actuation of gear wheel pumps. US certification.

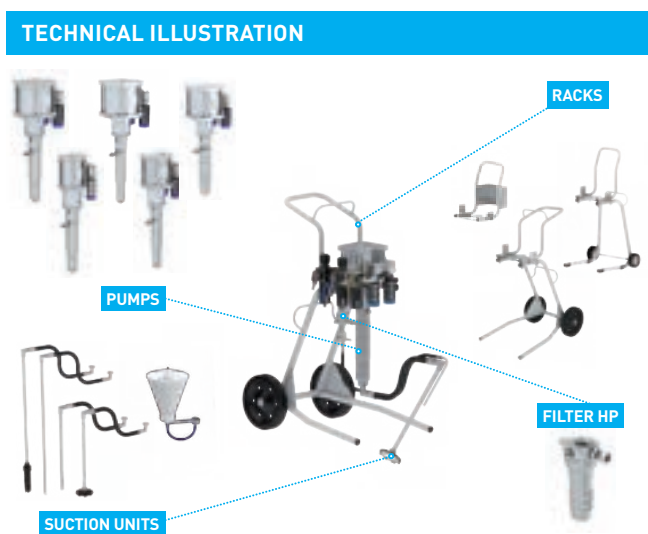
EcoPump Packages

Ready to use sets

The pump packages are fully assembled portable modules, which are ready to use. The modular design ensures the use in multiple industries including wood finishing and exterior painting. Equipment for high-pressure coating based on **EcoPump VP** pumps are available as well as low pressure coating devices which use a line of diaphragm pumps. Variability is ensured by wide configuration options where the selection is made between different assembly modules like carriage, suction type or optional accessory to extend user's comfort.



PRODUCT LINE		
	EcoPump VP Package	EcoPump AD Package
Part No.	N92110001V	N92120001V
Weight	16.0-45.0 kg	19.0-37.0 kg
Pressure category	High pressure	Low pressure
No. of pumps	10 types	6 types
Suction units	Direct / hose / feed cup 6 l	Direct / hose / feed cup 6 l
Racks	Trolley / mobile stand / wall mount	Trolley / mobile stand / wall mount



➔

CUSTOMER BENEFITS

- Modular design for great versatility
- Low or high pressure variant
- Filtration on inlet and outlet (optional)
- Flow regulator (optional for AD pumps only)
- Electronic control unit (optional for VP pumps only)
- Wide range of accessories

EcoPump VP Package

Modules overview

1 Pumps

Pumps are delivered in different ratios and displacement volumes.

2 Maintenance units

Used for inlet air regulation. Units are attached according to motor type and application method used (Airless, Air-assist).



3 Material feeding

- Direct suction
- Flexible suction
- Feed cup (6 liters)



4 High pressure filter

High pressure filter is used for filtration of fluid on pump outlet. It has also a function of pulse damper.



5 Pressure relief units

Used for safe relief of pressure from fluid section. There are different variants depending on package configuration.

6 Racks

- Trolley
- Mobile stand
- Wall mount



AVAILABLE PUMPS

	EcoPump VP 55 200	EcoPump VP 55 310	EcoPump VP 55 445	EcoPump VP 90 280	EcoPump VP 110 225
Weight	12.9 kg	14.4 kg	16.8 kg	18.7 kg	18.7 kg
Displacement	55 cc/cycle	55 cc/cycle	55 cc/cycle	90 cc/cycle	110 cc/cycle
Ratio	25:1	39:1	64:1	40:1	32:1
Max. fluid pressure	200 bar (2,900 psi)	310 bar (4,495 psi)	445 bar (6,450 psi)	280 bar (4,060 psi)	225 bar (3,260 psi)
Flow rate @ rec. cycles	1.38 l/min (0.4 gal/m)	1.10 l/min (0.3 gal/m)	0.99 l/min (0.3 gal/m)	1.62 l/min (0.4 gal/m)	1.98 l/min (0.5 gal/m)
Recom. cycles	25 cyc/min	20 cyc/min	18 cyc/min	18 cyc/min	18 cyc/min
Max. air pressure	8.0 bar (116 psi)	8.0 bar (116 psi)	7.0 bar (101 psi)	7.0 bar (101 psi)	7.0 bar (101 psi)

EcoPump VP Package

ORDER CODE

EcoPump VP Package					
Option	Code			Code	Option
Pump					Nozzle cleaning
EcoPump VP 55 200	VP1			Y	Yes
EcoPump VP 55 310	VP2			N	No
EcoPump VP 55 445	VP3				Suction Hose Length
EcoPump VP 90 280	VP4			H85	Hose 0.85 m
EcoPump VP 110 225	VP5			H15	Hose 1.5 m
EcoPump VP 55 200 UF	VP6			N	None
EcoPump VP 55 200 UE	VP7				Suction Filter
EcoPump VP 55 310 UF	VP8			C74	Cartridge 74 µm
EcoPump VP 55 310 UE	VP9			C105	Cartridge 105 µm
EcoPump VP 55 445 UF	VP10			C149	Cartridge 149 µm
EcoPump VP 55 445 UE	VP11			C250	Cartridge 250 µm
EcoPump VP 90 280 UF	VP12			C500	Cartridge 500 µm
EcoPump VP 110 225 UF	VP13			D100	Filter Disc 100 µm
Application				D140	Filter Disc 140 µm
Airless	AL			D200	Filter Disc 200 µm
Air-Assist	AA			D250	Filter Disc 250 µm
Racks				D280	Filter Disc 280 µm
Transport Carriage	TW			D315	Filter Disc 315 µm
Mobile Stand	MS			D1K	Filter Disc 1,000 µm
Wall Mount	WH			N	None
Filter Pump Outlet					Suction Module
74 µm/ 500 bar	F74			DS	Direct Suction
105 µm/ 500 bar	F105			S05	Flexible Suction 0.5 m
149 µm/ 500 bar	F149			S10	Flexible Suction 0.95 m
250 µm/ 500 bar	F250			F5L	Feed Cup 6 l (Hose) (1.59 gal)
500 µm/ 500 bar	F500			F6L	Feed Cup 6 l (Tube) (1.59 gal)
None	N				

EcoPump VP2 Package

New generation of high-pressure spray package



optional
Control unit

- stroke counter
- operation statistics

Maintenance units

- Air Assist or Airless
- optional nozzle cleaner

Fluid feeding units

- direct suction
- flexible suction (up to 200 L barrels)
- vessel (6 liter)

Pressure release unit

- flexible hose
- direct fix outlet

optional
High-pressure filter

- up to 500 bar
- four outlets available
- elimination of pulsation

Racks

- one trolley fits to all pumps
- wall mount

Pumps

- new generation of high pressure pumps
- five types available
- max. pressure range from 80 to 300 bars
- optional ice reduction kit

optional
Pressure regulator

- fine pressure regulation

Fluid outlet manifold

- up to 3 spray guns
- integrated pressure gauge

Comming soon

VARIANT EXAMPLES



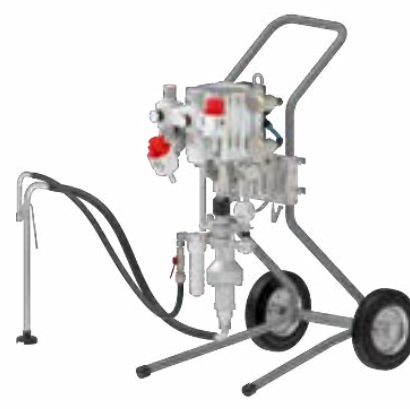
EcoPump VP2 package

- Airless
- Trolley
- Direct suction
- Pressure regulator



EcoPump VP2 package

- Air Assist
- Trolley
- Vessel 6L
- Pressure regulator
- Control unit



EcoPump VP2 package

- Airless
- Trolley
- Flexible suction
- Pressure regulator

EcoPump AD Package

Modules overview

1 Diaphragm pumps

Air operated diaphragm pumps are available in different design configurations.

2 Maintenance units

Used for inlet air regulation. Regulator can be also used to control air pressure for connected spray gun.

3 Material feeding

- Direct suction
- Flexible suction
- Feed cup (6 liters)



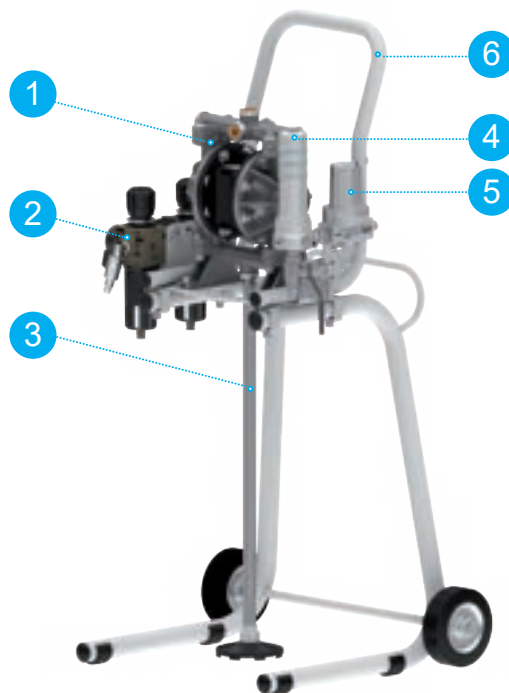
4 High pressure filter

High pressure filter is used for filtration of fluid on pump outlet. It has also a function of pulse damper.



5 Fluid regulator

Optional fluid regulator allows to adjust the outlet material pressure precisely. May be optionally equipped with pressure gauge.



6 Racks

- Trolley
- Mobile stand
- Wall mount



AVAILABLE PUMPS

	EcoPump AD 72 8,3 Ace PTFE 1/4"	EcoPump AD 83 6,9 Ace PTFE 3/8"	EcoPump AD 150 6,9 SST PTFE 1/2"
Part No.	N24140005	N24140006	N24140007
Displacement	72 cc/cycle	83 cc/cycle	150 cc/cycle
Max. fluid pressure	8.6 bar (125 psi)	6.9 bar (100 psi)	6.9 bar (100 psi)
Max. flow rate durable	6.5 l/min (1.72 gal/min)	13 l/min (3.43 gal/min)	16 l/min (4.22 gal/min)
Parts contacted by media	Acetal, PTFE	Acetal, PTFE	Stainless steel, PTFE

EcoPump AD Package



AVAILABLE PUMPS

	EcoPump AD 150 6,9 Acetal/Teflon 1/2"	EcoPump AD 150 6,9 Al PTFE/Teflon 1/2"	EcoPump AD 150 21 8 SST PTFE 3/8" *
Part No.	N24140008	N24140009	N24140013
Displacement	150 cc/cycle	150 cc/cycle	150 cc/cycle
Max. fluid pressure	6.9 bar (100 psi)	6.9 bar (100 psi)	21 bar (305 psi)
Max. flow rate durable	16 l/min (4.22 gal/min)	16 l/min (4.22 gal/min)	3.0 l/min (0.79 gal/min)
Parts contacted by media	Acetal, PTFE	Stainless steel, Al, PTFE	Stainless steel, PTFE

*available for EcoPump AD Package in Q2 2022

ORDER CODE

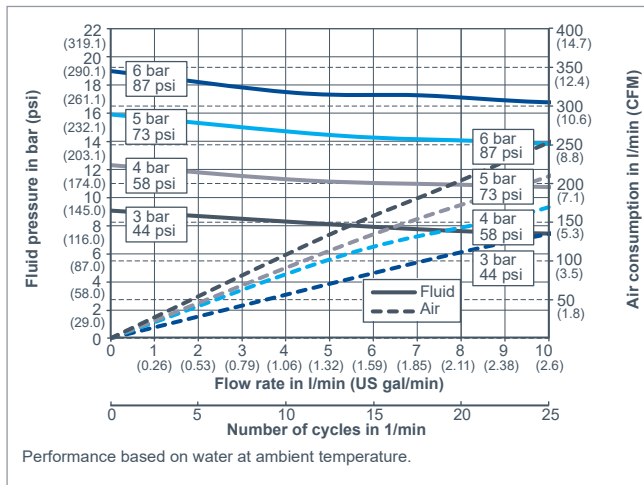
EcoPump AD Package		Code	Option
Pump			Pressure gauge
EcoPump AD 72 8 ACE 1/4"	AD1	J	0-10 bar - D63 mm
EcoPump AD 83 7 ACE 3/8"	AD2	N	None
EcoPump AD 150 7 SST 1/2"	AD3		Nozzle cleaning
EcoPump AD 150 7 ACE 1/2"	AD4	Y	Yes
EcoPump AD 150 7 ALU 1/2"	AD5	N	No
EcoPump AD 150 21 SST 3/8" *	AD6		Suction hose length
Paint pressure regulator			H85
8 l/min - 16 bar	J		Hose 0.85 m
w/o Paint Pressure Regulator	N		H15
			Hose 1.5 m
			N
			None
Racks			Suction filter
Transport carriage	TW	C74	Cartridge 74 µm
Mobile stand	MS	C105	Cartridge 105 µm
Wall mount	WH	C149	Cartridge 149 µm
		C250	Cartridge 250 µm
		C500	Cartridge 500 µm
		D100	Filter disc 100 µm
		D140	Filter disc 140 µm
		D200	Filter disc 200 µm
		D250	Filter disc 250 µm
		D280	Filter disc 280 µm
		D315	Filter disc 315 µm
		D1K	Filter disc 1,000 µm
		N	None
Filter pump outlet			
74 µm/ 500 bar	F74		
105 µm/ 500 bar	F105		
149 µm/ 500 bar	F149		
250 µm/ 500 bar	F250		
500 µm/ 500 bar	F500		
Distributor Block	DB		
None	N		
Suction module			
Suction lance 0.5 m	S05		
Suction lance 0.95 m	S10		
Direct suction	DS		
Feed cup 5 l (1.32 gal)	F5L		

*available for EcoPump AD Package in Q2 2022

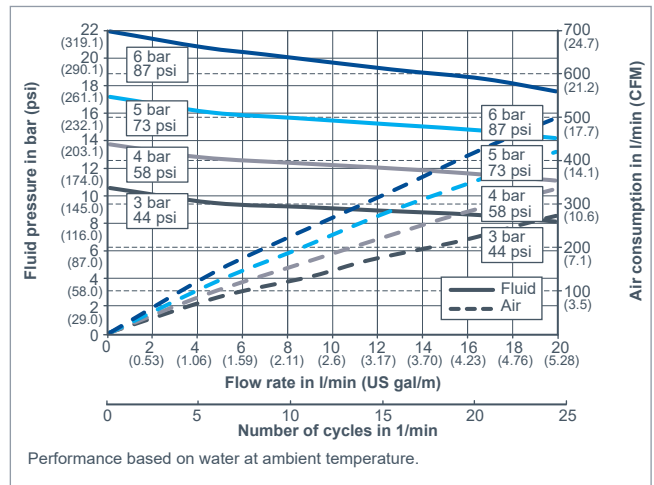
EcoPump Selection Guide

Characteristics overview

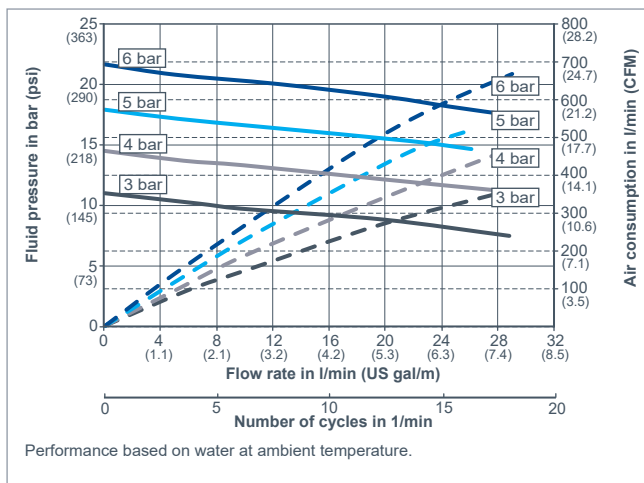
EcoPump HP / HPE



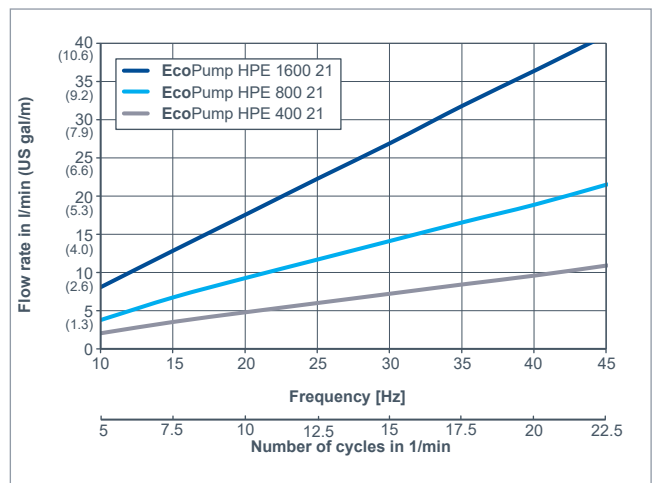
EcoPump HP 400 21 (N24160001)



EcoPump HP 800 21 (N24160002)

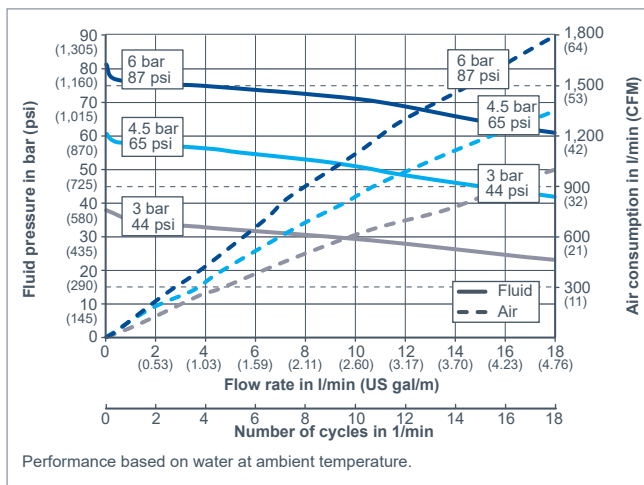


EcoPump HP 1600 21 (N24160003)

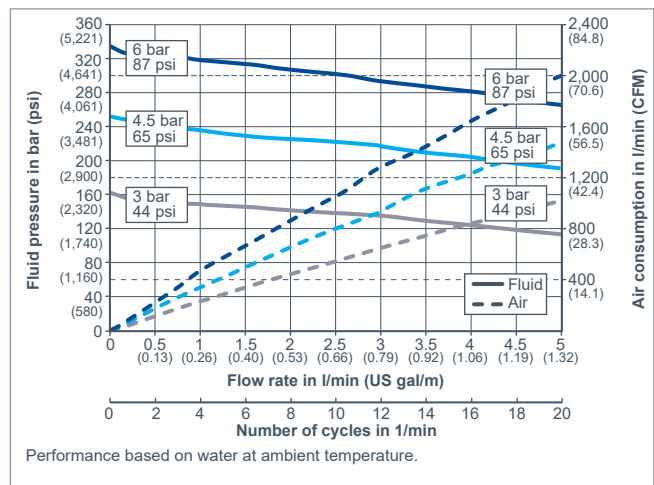


EcoPump HPE (N24260002-0004)

EcoPump VP



EcoPump VP 1000 90 (N24170029)

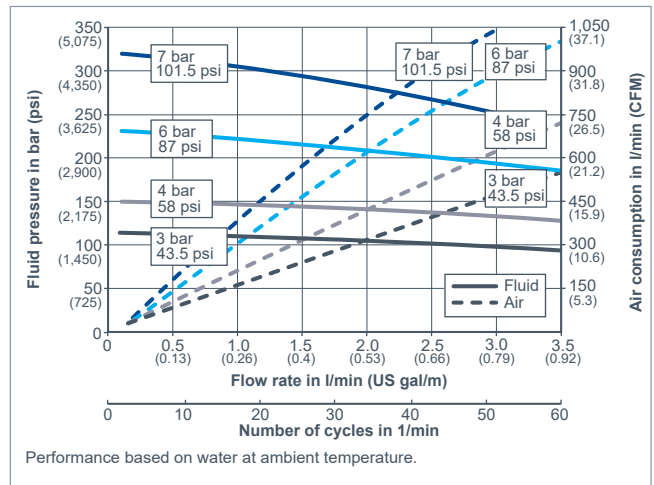
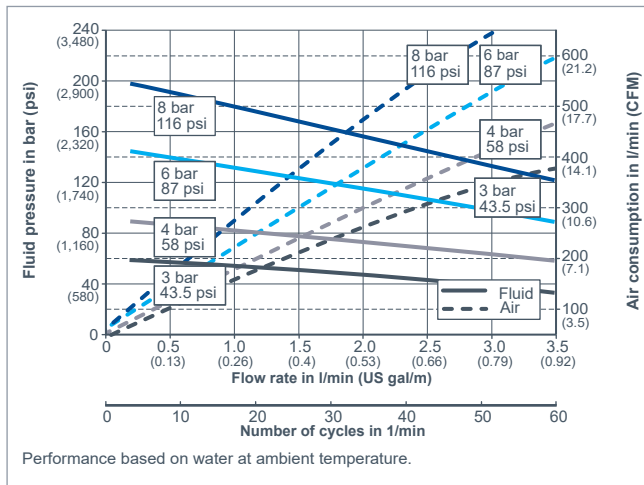


EcoPump VP 250 360 (N24170025)

EcoPump Selection Guide

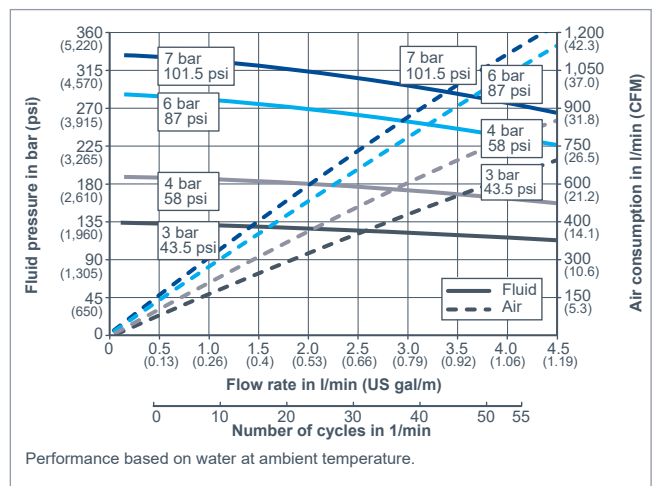
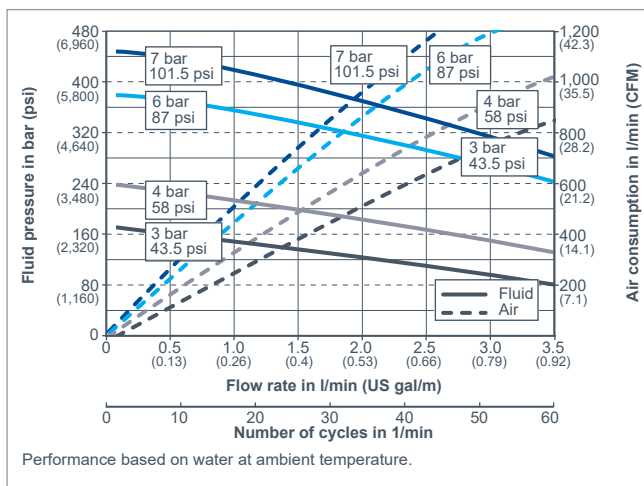
Characteristics overview

EcoPump VP



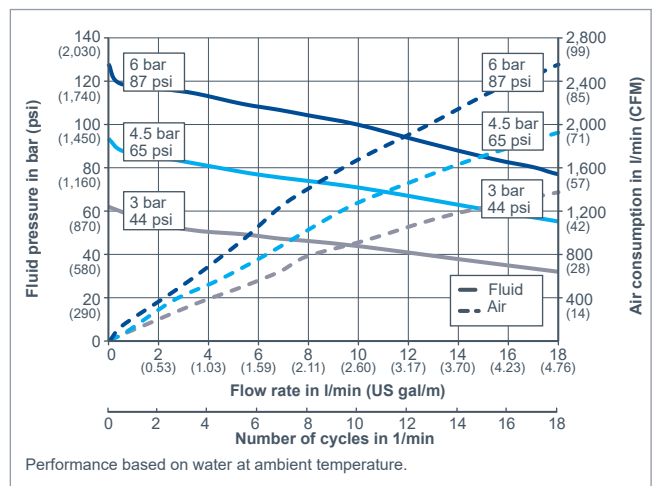
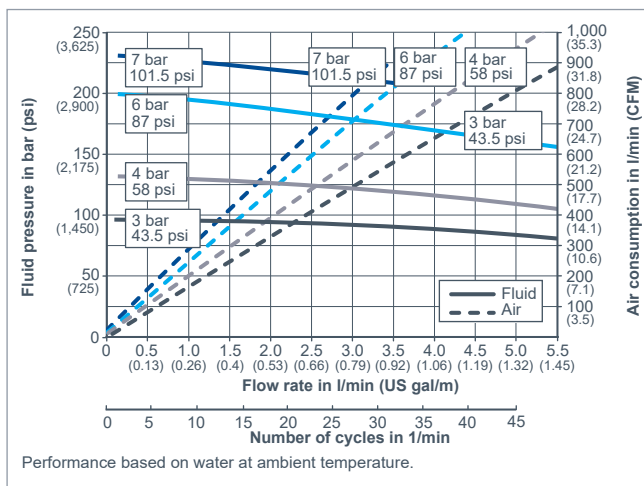
EcoPump VP 55 200 (N24170005)

EcoPump VP 55 310 (N24170006)



EcoPump VP 55 445 (N24170007)

EcoPump VP 90 280 (N24170008)



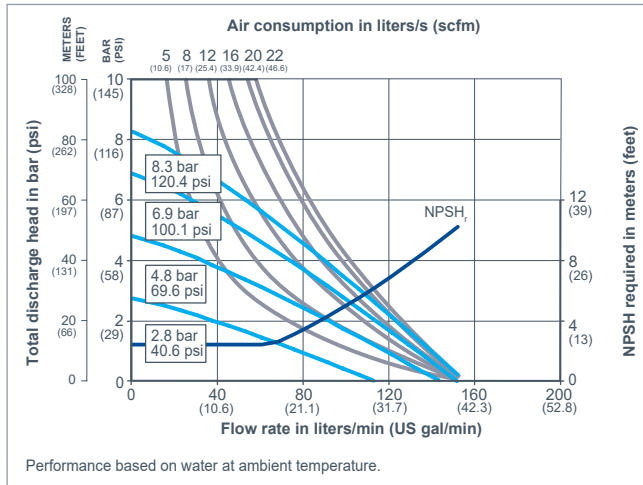
EcoPump VP 110 225 (N24170009)

EcoPump VP 1000 135 (N24170030)

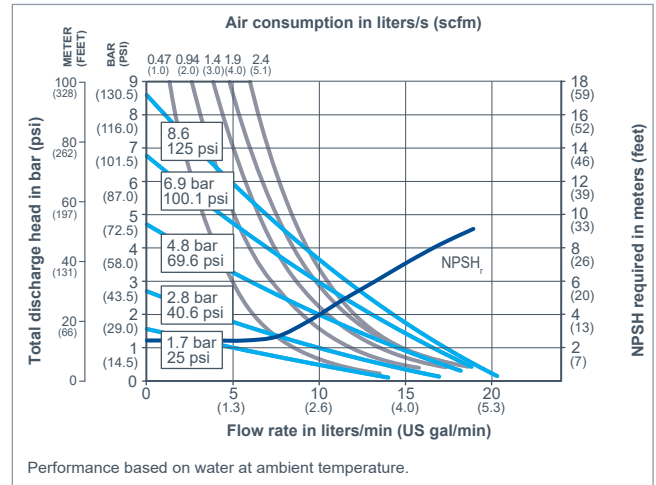
EcoPump Selection Guide

Characteristics overview

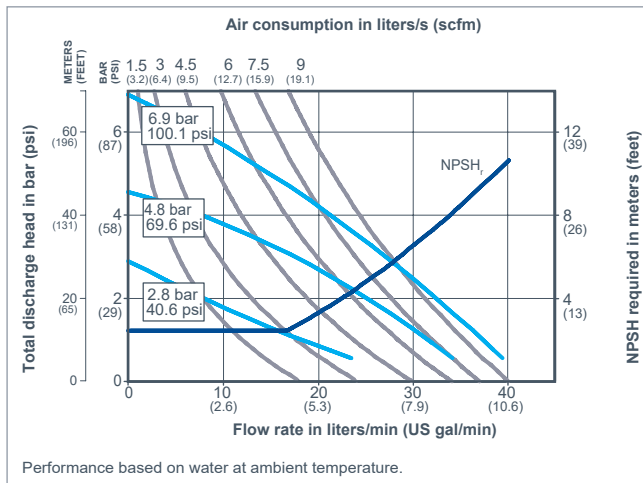
EcoPump AD



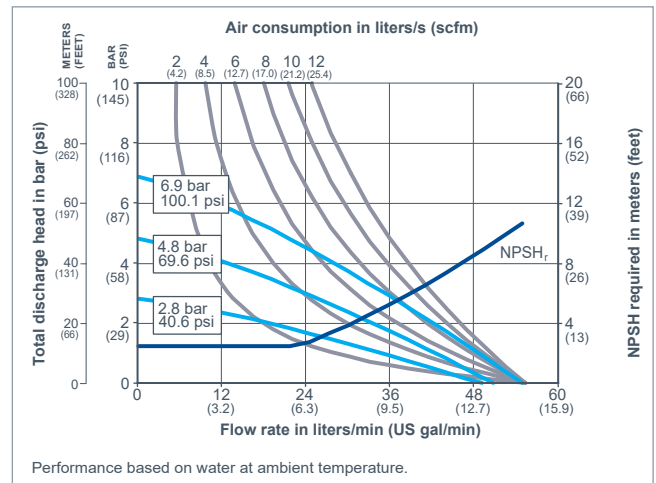
EcoPump AD 600 8,3 SST PTFE 1" (N24140004)



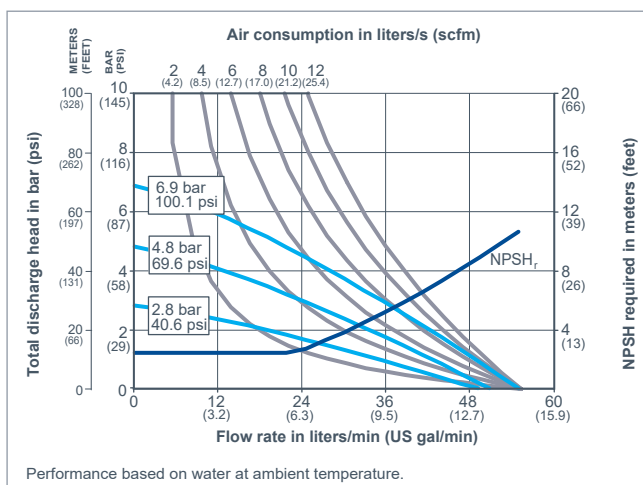
EcoPump AD 72 8,3 Ace PTFE 1/4" (N24140005)



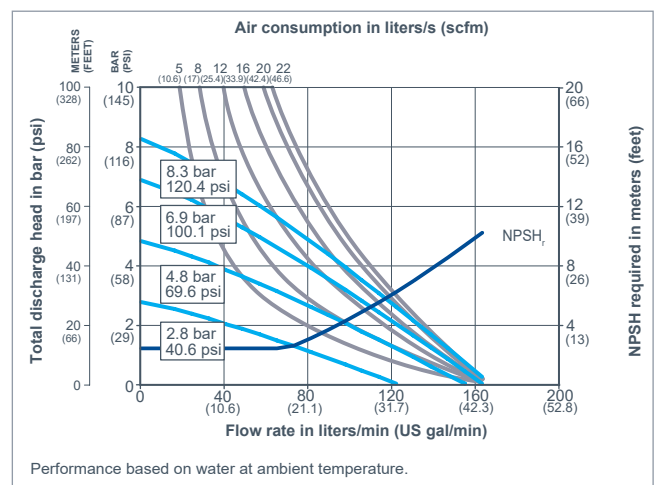
EcoPump AD 83 6,9 Ace PTFE 3/8" (N24140006)



EcoPump AD 150 6,9 SST PTFE 1/2" (N24140007)



EcoPump AD 150 6,9 Alu PTFE 1/2" (N24140009)

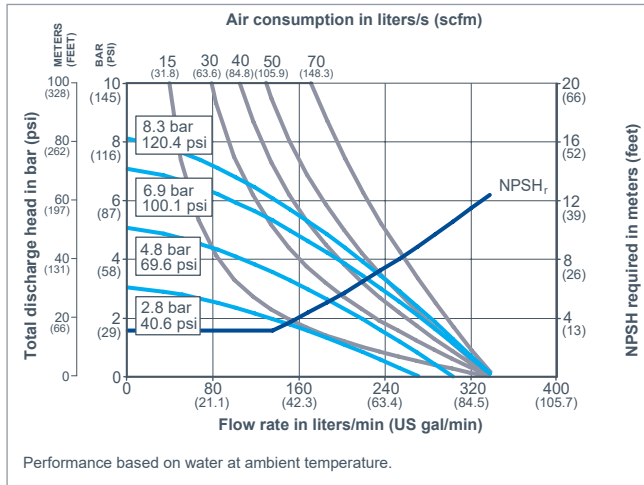


EcoPump AD 600 8,3 Alu PTFE 1" (N24140010)

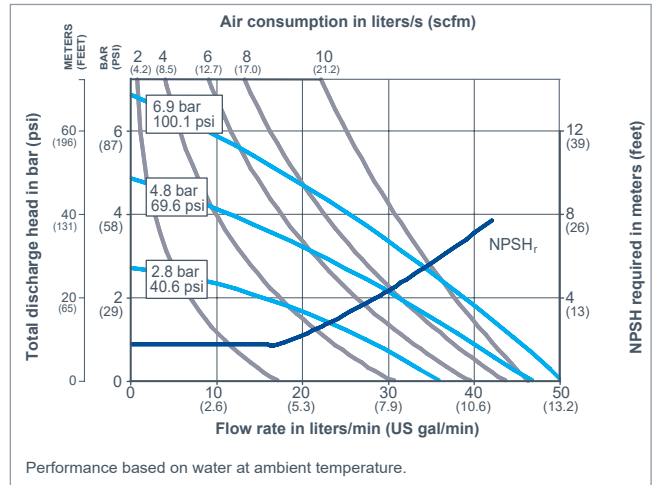
EcoPump Selection Guide

Characteristics overview

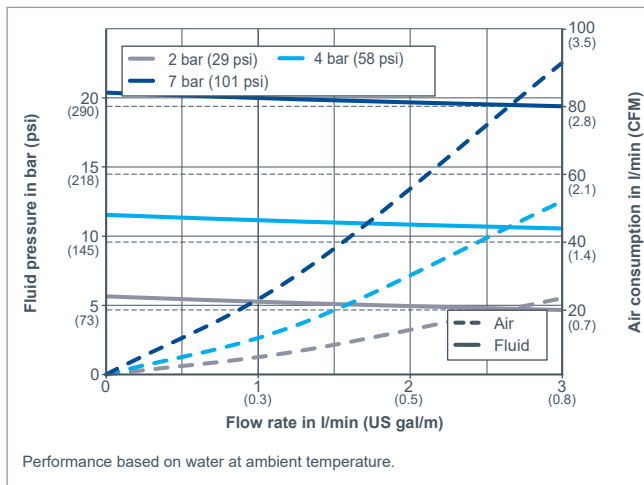
EcoPump AD



EcoPump AD 2420 8,3 SST PTFE 1 1/2" (N24140011)

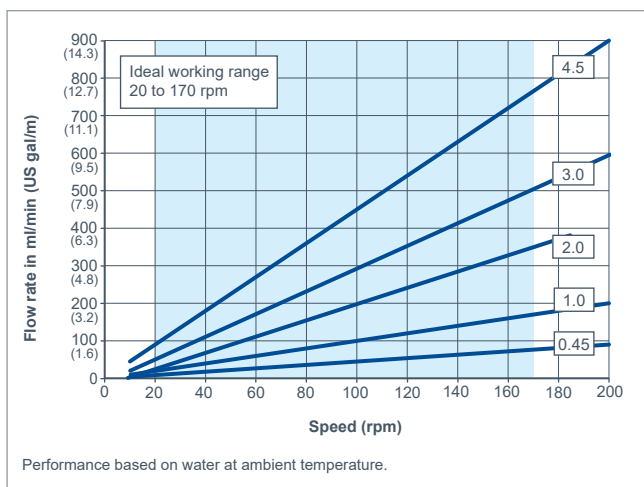


EcoPump AD 150 6,9 Ace PTFE 1/2" (N24140008)



EcoPump AD 150 21 8 SST PTFE 3/8" (N24140013)

EcoPump9 GW



EcoPump9 GW (N24190001V)



RAMs

High viscosity paint supply

Product families

EcoRAM 60 – high viscosity supply system

EcoRAM 200 – high viscosity supply system

EcoRAM

High viscosity paint supply system

This drum press can be ordered with our EcoPump VP or our shovel plate pump EcoPump VPS. It is the perfect material supply system for high viscous 1K material from the original barrel.

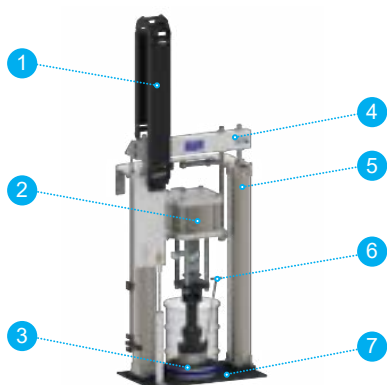


PRODUCT LINE

	EcoRAM 60	EcoRAM 200
Part No.	N68530002V	N68540002V
Max. dimensions [HxWxL]	695x420x2,013 mm [depends on the config.]	1,120x1,443x2,334 mm [depends on the config.]
Max. height barrel	2,437 mm [96"]	2,886 mm [114"]
Max. air pressure	8.0 bar [116 psi]	8.0 bar [116 psi]
Connector air	Depends on the control unit	Depends on the control unit
Plate material	Aluminium cast and PU	Aluminium cast and NVC
Ambient operating temperature	10-40 °C	10-40 °C
Max. flow rate	Depends on the used pump	Depends on the used pump
Diameter barrel	360 mm, 279 mm	571 mm

Product upon request.

TECHNICAL ILLUSTRATION



1 - Power chain, 2 - Pneumatic motor, 3 - Follower plate, 4 - Lifter, 5 - Pneumatic cylinders, 6 - Ventilation bar, 7 - Ground plate



CUSTOMER BENEFITS

To supply high viscous material from up to 60 l barrels and up to 200 l barrels

Two lift cylinders for an exact guidance and a constant power transmission

Different follower plates for several barrel types

Simple and compact pneumatical control system

High flexibility regarding the medium due to various available pumps

Different complexities of sensor systems, adaptable for the scope of application

Available from a simple to a complex version

EcoRAM

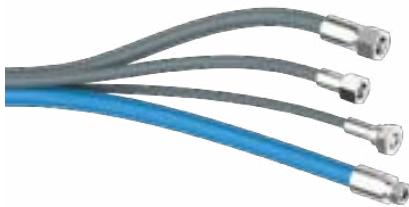
High viscosity supply system

ORDER CODE

EcoRAM 60			
Option	Code	Code	Option
Type of RAM support		Side of mounting	
Supports	S	A	RAM A
None	N	B	RAM B
Preparation for control system		Sensor system	
Pneumatic 2-Hand control	P	B	Basic
EcoHVMP2*	CC	BS	Basic & stroke*
Diameter of barrel		BA	Basic & analogue*
279 mm	279	BSA	Basic, stroke & analogue*
356 mm	356	Pump heating	
360 mm	360	Y	Yes*
Follower plate		N	No
Warm, 1 ring*	FPW	Pump	
Cold, 2 rings	FPC	S01	EcoPump VPS 216 360 St
None	N	S03	EcoPump VPS 210 360 SST PE
		S04	EcoPump VPS 210 360 SST PU / PE
		B02	EcoPump VP 250 360 SST PU
		B03	EcoPump VP 250 360 SST PE
		B04	EcoPump VP 500 180 SST PU
		B06	EcoPump VP 1000 90 SST PU
		N	None

EcoRAM 200			
Option	Code	Code	Option
Type of Lift		Side of mounting	
Pneumatic, d = 100 mm	100	A	RAM A
Pneumatic, d = 160 mm	160	B	RAM B
Type of barrel support		Sensor system	
Sliding rails	R	C	Core*
Barrel support plate	P	B	Basic
Type of RAM support		BS	Basic & stroke*
Supports	S	BA	Basic & analogue*
Supports with 1 roll	1R	BSA	Basic, stroke & analogue*
Supports with roller bed	2R	Pump heating	
None	N	Y	Yes*
Preparation for control system		N	No
Pneumatic 2-hand-control	P	Pump	
EcoHVMP2*	CC	S01	EcoPump VPS 216 360 St
Follower plate		S03	EcoPump VPS 210 360 SST PE
Cold, 2 rings	FPC	S04	EcoPump VPS 210 360 SST PU/PE
Warm, 1 ring*	FPW	B02	EcoPump VP 250 360 SST PU
Warm, 2 rings*	FPW2	B03	EcoPump VP 250 360 SST PE
Hot*	FPH	B04	EcoPump VP 500 180 SST PU
None	N	B05	EcoPump VP 500 270 SST PU
		B06	EcoPump VP 1000 90 SST PU
		B07	EcoPump VP 1000 135 SST PU
		B08	EcoPump VP 500 180 C SST PU
		N	None

* Not available yet.



Fluid handling

Products

EcoFlow – fluid regulation for paint process systems

Pressure relief valves – protection device against pressure peaks

Agitators – manual air operated agitators

Filters – low and high pressure material filters

Pressure gauges – vertical, horizontal, bottom or back connection fluid pressure gauges

Hoses & Fittings – air or fluid hoses and fittings



Pressure regulators

Fluid regulation for paint process systems

Product families

EcoFlow HPF – high pressure flow regulators

EcoFlow HPR – high pressure return regulators

EcoFlow LPF – low pressure flow regulators

EcoFlow LPR – low pressure return regulators

EcoFlow HPF

High pressure flow regulators

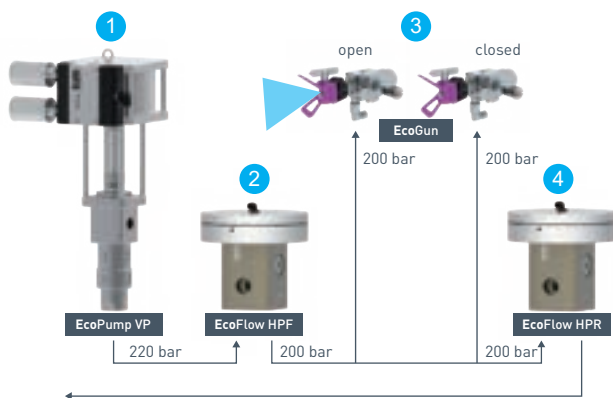
The **EcoFlow HPF** is a high pressure flow regulator designed to maintain downstream pressure in fluid supply systems. By controlling the media pressure to the required working pressure, connected applicators are protected against pressure surge and pulsation from the material supply, while maintaining the required pressure and flow characteristics for the application process. Typically handled materials are high viscous fluids such as mastics, sealers, pastes, adhesives or glues.



PRODUCT LINE

	EcoFlow HPF P 310 5 G3/4" ALU	High pressure regu- lator 320bar P	High pressure regu- lator 270bar M	High pressure regu- lator 200bar P	High pressure regu- lator 200bar M
Part No.	N26070021	N26070027	N26070028	N26070029	N26070030
Operation	Pneumatical	Pneumatical	Manual	Pneumatical	Manual
Connector inlet / outlet	G3/4" (female)	G3/4" (female)	G3/8" (female)	G3/4" (female)	G3/8" female
Connector air	Push-in 6 mm	G1/4" (female)	None	G1/4" (female)	none
Max. fluid pressure	310 bar (4,495 psi)	360 bar (5,220 psi)	270 bar (3,915 psi)	360 bar (5,220 psi)	360 bar (5,220 psi)
Control range of flow rate	20-310 bar (290-4,495 psi)	40-320 bar (580-4,641 psi)	90-270 bar (1,305-3,915 psi)	40-200 bar (580-2,900 psi)	90-200 bar (1,305-2,900 psi)
Max. flow rate	5.0 l/min (1.32 gal/min)	43.0 l/min (11.36 gal/min)	14.8 l/min (3.26 gal/min)	18.0 l/min (4,75 gal/min)	14.8 l/min (3.26 gal/min)
Material housing	Aluminium	Stainless steel	Stainless steel	Stainless steel	Stainless steel
Field of use	Sealing	Paint	Paint	Paint	Paint

TECHNICAL ILLUSTRATION



1 - Pump, 2 - Pressure flow regulator, 3 - Spray guns, 4 - Return flow regulator



CUSTOMER BENEFITS

- [Large regulation range at high flow rate](#)
- [Pneumatic or manual variant available](#)
- [Sensitive precision control](#)
- [Excellent dynamics during pressure changes](#)
- [100% tight sealing function](#)
- [Compact dimensions](#)
- [High performance diaphragm](#)
- [Easy to maintain](#)
- [Tested according to Dürr quality standards](#)

EcoFlow HPR

High pressure return regulators

The **EcoFlow HPR** is a high pressure return regulator designed to maintain consistent back pressure in fluid supply systems. By controlling the fluid pressure to the required working pressure, applicators are protected against pressure surge and pulsation from the material supply, while maintaining the required flow characteristics for the application process. The **EcoFlow HPR** is easy to maintain with a 100% tight sealing function and compact dimensions. Typically handled materials are high viscose fluids such as mastics, sealers, pastes, adhesives or glues.



PRODUCT LINE

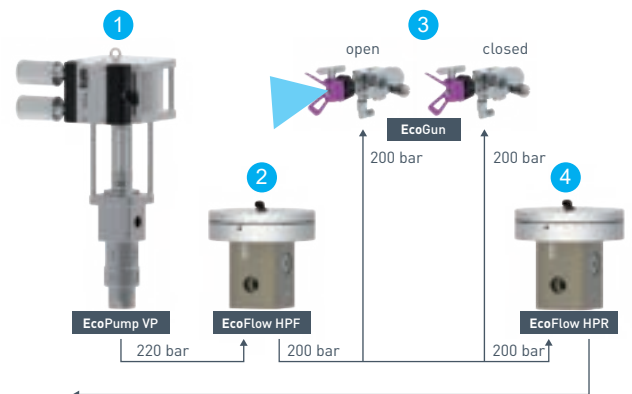
	EcoFlow HPR P 310 20 G3/4" ALU	High pressure regulator return 360bar P	High pressure regulator return 270bar M
Part No.	N26240001	N26170009	N26170010
Operation	Pneumatical	Pneumatical	Manual
Connector inlet / outlet	G3/4" (female)	G3/4" (female)	G3/8" (female)
Connector air	Push-in 6 mm	G1/4" (female)	None
Max. fluid pressure	310 bar (4,495 psi)	300 bar (4,350 psi)	270 bar (3,915 psi)
Control range of flow rate	20-310 bar (290-4,495 psi)	10-300 bar (145-4,350 psi)	90-270 bar (1,305-3,915 psi)
Max. flow rate	20 l/min (5.28 gal/min)	43 l/min (11.36 gal/min)	23.4 l/min (6.18 gal/min)
Material housing	Aluminium	Stainless steel	Stainless steel



CUSTOMER BENEFITS

- [Large regulation range at high flow rate](#)
- [Pneumatic variant available](#)
- [Precision control](#)
- [Excellent dynamics during pressure changes](#)
- [Easy to maintain](#)
- [100% tight sealing function](#)
- [Compact dimensions](#)
- [High performance diaphragm](#)
- [Low weight](#)
- [Tested according to Dürr quality standards](#)

CONNECTION SCHEME



1 - Pump, 2 - Pressure flow regulator, 3 - Spray guns, 4 - Return flow regulator

EcoFlow LPF

Low pressure flow regulators

The **EcoFlow LPF** is a low pressure flow regulator designed to maintain downstream pressure in fluid supply systems. By controlling the fluid pressure to the required working pressure, applicator equipment is protected against pressure surge and pulsation from the material supply, while maintaining the required flow characteristics for the application process. Typically handled materials are water and solvent-borne paints, varnishes, enamels and lacquers.



PRODUCT LINE			
	EcoFlow LPF P 7 2.5 G1/8" SST	EcoFlow LPF M 9 2.5 G1/8" SST	EcoFlow LPF M 15 8 G3/8" SST G1/8"
Part No.	N26010101	N26010068	N26210005
Operation	Pneumatic	Manual	Manual
Connector inlet / outlet	G1/8" (female/male)	G1/8" (female/male)	G3/8" (female)
Connector air	M5	None	None
Max. fluid pressure	20.0 bar (290 psi)	20.0 bar (290 psi)	16.0 bar (232 psi)
Control range of flow rate	1.0-7.0 bar (15-102 psi)	0.5-9.0 bar (7-131 psi)	0.5-15.0 bar (7-218 psi)
Max. flow rate	2.5 l/min (0.66 gal/m)	2.5 l/min (0.66 gal/m)	8.0 l/min (2.11 gal/m)
Material housing	Stainless steel	Stainless steel	Stainless steel
Pressure gauge	None	None	Optional (G1/8") *



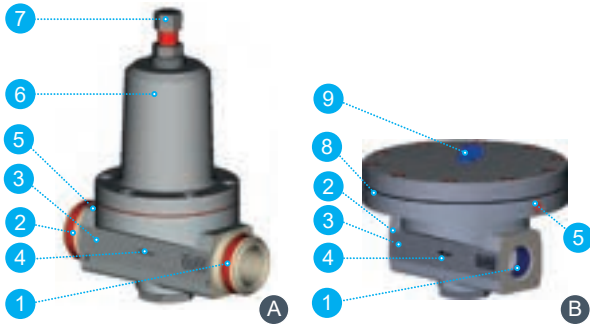
	EcoFlow LPF M 5 8 G3/8" SST G1/8"	EcoFlow LPF P 5 8 G3/8" SST G1/8"	EcoFlow LPF P 15 8 G3/8" SST G1/8"
Part No.	N26210006	N26210007	N26210008
Operation	Manual	Pneumatic	Pneumatic
Connector inlet / outlet	G3/8" (female)	G3/8" (female)	G3/8" (female)
Connector air	None	Push-in 6 mm	Push-in 6 mm
Max. fluid pressure	10.0 bar (145 psi)	8.0 bar (116 psi)	16.0 bar (232 psi)
Control range of flow rate	0.5-5.0 bar (7-73 psi)	0.5-5.0 bar (7-73 psi)	0.5-15.0 bar (7-218 psi)
Max. flow rate	8.0 l/min (2.11 gal/m)	8.0 l/min (2.11 gal/m)	8.0 l/min (2.11 gal/m)
Material housing	Stainless steel	Stainless steel	Stainless steel
Pressure gauge	Optional (G1/8") *	Optional (G1/8") *	Optional (G1/8") *

* See pressure gauge range on page no. 112

EcoFlow LPF

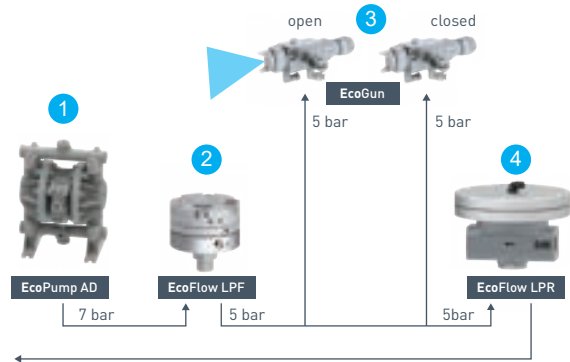
Low pressure flow regulators

TECHNICAL ILLUSTRATION



1 - Material inlet, 2 - Material outlet, 3 - Regulator housing, 4 - Flow direction, 5 - Ventilation and leakage bore, 6 - Regulator cap, 7 - Adjusting screw, 8 - Spacer ring, 9 - Control air connection, A - Manual pressure regulators, B - Pneumatic pressure regulators

TECHNICAL ILLUSTRATION



1 - Pump, 2 - Pressure flow regulator, 3 - Spray guns, 4 - Return flow regulator

FUNCTIONAL PRINCIPLE

Pressure regulators are either used to limit the pressure of the paint after the regulator (flow regulator) or to maintain a certain pressure level before the regulator (return regulators). In flow regulators either a spring or compressed air on a diaphragm holds a valve open. If a pressure higher than the force of the springs operates on a diaphragm, the valve starts to close and reduces the pressure. In return regulators, the spring holds the valve closed until the pressure on the inlet of the regulator exceeds the force of the spring. The valve starts to open, paint flows and the pressure before the regulator decreases.



CUSTOMER BENEFITS

Precision control

Excellent dynamics during pressure changes

100% tight sealing function

Compact dimensions

High performance diaphragm

Easy to maintain

Tested according to Dürr quality standards

EcoFlow LPR

Low pressure return regulators

The **EcoFlow LPR** is a low pressure return regulator that has been designed to maintain consistent back pressure in fluid supply systems. By controlling the fluid pressure to the required working pressure, applicators are protected against pressure surge and pulsation from the material supply, while perfect flow characteristics for the application process are ensured. **EcoFlow LPR** is easy to maintain with a 100% tight sealing function and compact dimensions. Typically handled materials are water and solvent-borne paints, varnishes, enamels and lacquers.



PRODUCT LINE			
	EcoFlow LPR P 16 15 DN25 SST	EcoFlow LPR P 16 25 DN25 SST	EcoFlow LPR P 16 30 G3/4" SST
Part No.	N26220001	N26220002	N26220003
Operation	Pneumatical	Pneumatical	Pneumatical
Connector inlet / outlet	EcoTube DN25 (male)	EcoTube DN25 (male)	G3/4" (female)
Connector air	Push-in 6 mm	Push-in 6 mm	Push-in 6 mm
Max. fluid pressure	16.0 bar (232 psi)	16.0 bar (232 psi)	16.0 bar (232 psi)
Control range of flow rate	1.0-14.0 bar (15-203 psi)	1.0-14.0 bar (15-203 psi)	1.0-14.0 bar (15-203 psi)
Max. flow rate	15 l/min (3.96 gal/m)	25 l/min (6.6 gal/m)	30 l/min (7.93 gal/m)
Material housing	Stainless steel	Stainless steel	Stainless steel
Pressure gauge	None	None	None

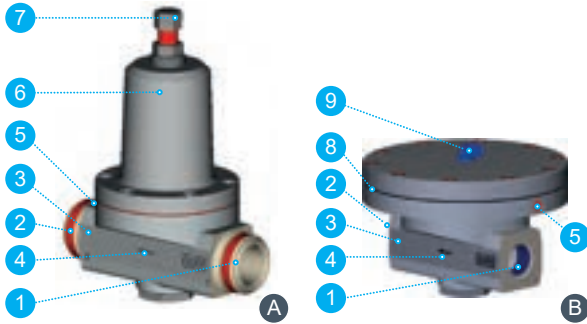


	EcoFlow LPR M 14 15 DN25 SST	EcoFlow LPR M 14 25 DN25 SST	EcoFlow LPR M 14 30 G3/4" SST	Regulator paint pressure 20bar LPR M
Part No.	N26220004	N26220005	N26220006	N26120092
Operation	Manual	Manual	Manual	Manual
Connector inlet / outlet	EcoTube DN25 (male)	EcoTube DN25 (male)	G3/4" (female)	G3/8" (female)
Connector air	None	None	None	None
Max. fluid pressure	16.0 bar (232 psi)	16.0 bar (232 psi)	16.0 bar (232 psi)	20.0 bar (290 psi)
Control range of flow rate	1.0-14.0 bar (15-203 psi)	1.0-14.0 bar (15-203 psi)	1.0-14.0 bar (15-203 psi)	1.0-20 bar (15-290 psi)
Max. flow rate	15 l/min (3.96 gal/m)	25 l/min (6.6 gal/m)	30 l/min (7.93 gal/m)	15.0 l/min (3.96 gal/m)
Material housing	Stainless steel	Stainless steel	Stainless steel	Stainless steel
Pressure gauge	None	None	None	Optional (G1/8")

EcoFlow LPR

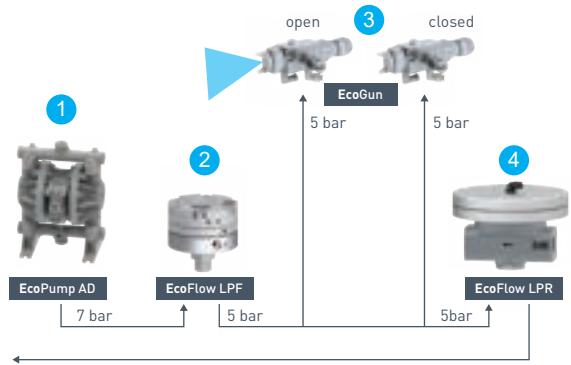
Low pressure return regulators

TECHNICAL ILLUSTRATION



1 - Material inlet, 2 - Material outlet, 3 - Regulator housing, 4 - Flow direction, 5 - Ventilation and leakage bore, 6 - Regulator cap, 7 - Adjusting screw, 8 - Spacer ring, 9 - Control air connection, A - Manual pressure regulators, B - Pneumatic pressure regulators

CONNECTION SCHEME

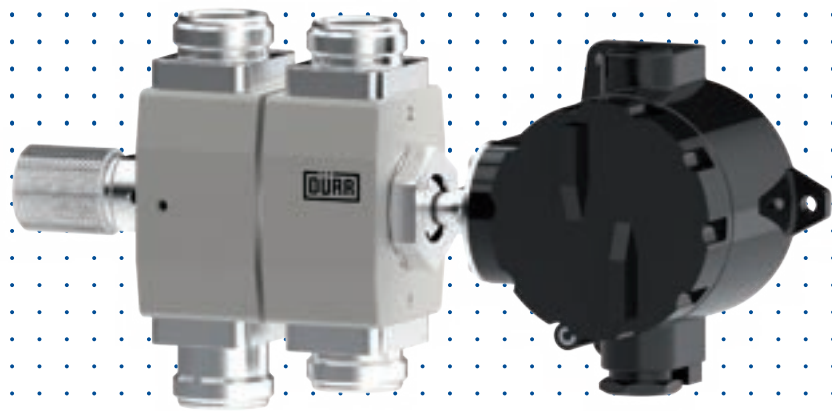


1 - Pump, 2 - Pressure flow regulator, 3 - Spray guns, 4 - Return flow regulator



CUSTOMER BENEFITS

- Precision control
- Excellent dynamics during pressure changes
- 100% tight sealing function
- Compact dimensions
- High performance diaphragm
- Easy to maintain
- Tested according to Dürr quality standards



Pressure relief valves

Product families

Pressure relief valves

Pressure relief valves

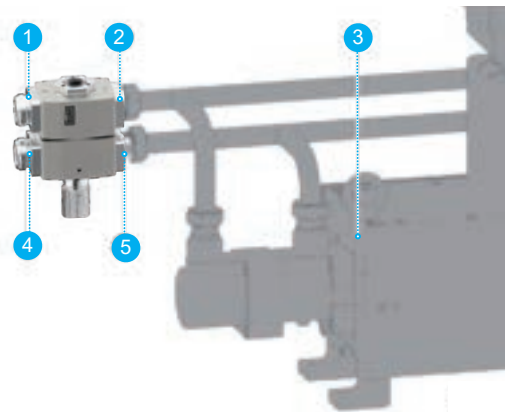
As an enhancement to the **EcoPump HPE**, the pressure relief valve prevents possible damages caused by unpredictable excess pressure. It is simply connected directly to the outlet of the pump. Protection against pressure peaks and improper use is guaranteed by the pressure actuated valve. By using the optionally available sensor in the relevant port, the pressure relief valve is the perfect interface to allow full closed-loop control of the pump. Typical fluids include water and solvent-borne paints, varnishes, enamels and lacquers.



PRODUCT LINE

	Pressure relief valve DS Exd 21 bar DN25	Pressure relief valve DS Exi 21 bar DN25	Pressure relief valve 21bar DN25
Part No.	N32170009	N32170010	N32170011
Weight	8.8 kg	8.8 kg	7.2 kg
Connector	EcoTube DN25 (male)	EcoTube DN25 (male)	EcoTube DN25 (male)
Max. fluid pressure	21 bar (305 psi)	21 bar (305 psi)	21 bar (305 psi)
Equipment	Flame proof pressure switch	Intrinsically safe pressure switch	None

TECHNICAL ILLUSTRATION



1 - Pressure pipe out, 2 - Pressure pipe in, 3 - Pump, 4 - Suction pipe out, 5 - Suction pipe in



CUSTOMER BENEFITS

- Prevention of excessive pressure
- Relieved fluid is directly redirected into suction line
- Stainless steel design
- Standard connections
- Direct connection to pump inlet and outlet
- Tested according to Dürr quality standards
- ATEX Ex II 2G Ex h IIA T6 Gb X



Agitators

Air operated agitators

Product families

Agitators A MAN – manual air operated agitators

Agitators A FIX – fix mounted air operated agitators

Agitators A MAN

Manual air operated agitators

Dürr has developed a group of pneumatic agitators used in the preparation of paint before application or to prevent settling of the paint during spraying. Various shaft lengths are available. An optional stand is available to allow mixing without assistance of the operator. The pneumatic drive allows the safe use in a paint shop environment.



PRODUCT LINE

	Agitator A MAN R PR 75 330	Agitator A MAN R PR 75 369	Agitator A MAN R PR 75 440	Agitator A MAN R PR 75 550	Agitator A MAN R PR 75 650
Part No.	N68040327	N68040362	N68040328	N68040329	N68040330
Shaft length	330 mm	369 mm	440 mm	550 mm	650 mm
Propeller diameter	75 mm	75 mm	75 mm	75 mm	75 mm
Geometry blades	Propeller	Propeller	Propeller	Propeller	Propeller
Rated power	0.07 kW	0.07 kW	0.07 kW	0.07 kW	0.07 kW
Recom. air pressure	0.5-7.0 bar (7-101 psi)	0.5-7.0 bar (7-101 psi)	0.5-7.0 bar (7-101 psi)	0.5-7.0 bar (7-101 psi)	0.5-7.0 bar (7-101 psi)
Max. rotation speed	800 rpm	800 rpm	800 rpm	800 rpm	800 rpm

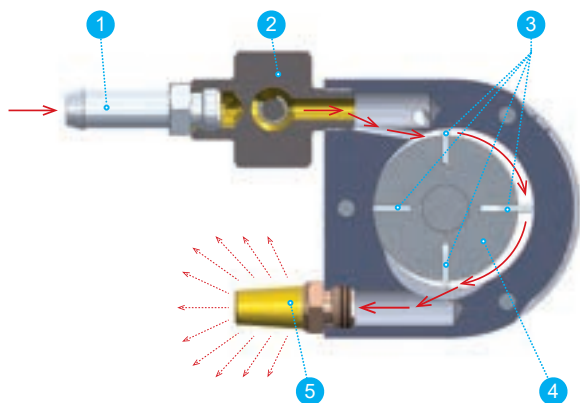


	Agitator A MAN R PR 100 330	Agitator A MAN R PR 100 440	Agitator A MAN R PR 100 550	Agitator A MAN R PR 100 650
Part No.	N68040331	N68040332	N68040333	N68040334
Shaft length	330 mm	440 mm	550 mm	650 mm
Propeller diameter	100 mm	100 mm	100 mm	100 mm
Geometry blades	Propeller	Propeller	Propeller	Propeller
Rated power	0.07 kW	0.07 kW	0.07 kW	0.07 kW
Recom. air pressure	0.5-7.0 bar (7-101 psi)	0.5-7.0 bar (7-101 psi)	0.5-7.0 bar (7-101 psi)	0.5-7.0 bar (7-101 psi)
Max. rotation speed	800 rpm	800 rpm	800 rpm	800 rpm

Agitators A MAN

Manual air operated agitators

TECHNICAL ILLUSTRATION



Pneumatic motor:

1 - Air inlet, 2 - Air regulator, 3 - Vane, 4 - Rotor, 5 - Silencer



CUSTOMER BENEFITS

Suitable for paint shops

Manual speed regulation

Optional stand

Stainless steel shaft and propeller

Wide range of shaft lengths available

Easy operation & maintenance



ACCESSORIES

	Stand 330	Stand 440-650
Part No.	N25220003	N25220004
Agitator type	Agitator A MAN	Agitator A MAN
Agitator length	330 mm	440-650 mm
Usage	Agitator support while mixing material in the pot. Made of stainless steel.	Agitator support while mixing material in the pot. Made of stainless steel.

Agitators A FIX

Fix mounted air operated agitators

Good preparation is essential for high quality application of the material (paint, glue, penetration etc.). For large containers, Dürr has developed a line of fixed mounted agitators. They are available for 60 or 200 liter (15 or 60 gallon) tanks. The agitators are air operated and usually fixed to the lid of the container. There are multiple propellers available selected by the material used.



PRODUCT LINE				
	Agitator A FIX R PR 185 580 NON-EX	Agitator A FIX R PR 185 860 NON-EX	Agitator A FIX R PR 185 395 *	Agitator A FIX R PR 185 545 *
Part No.	N68040611	N68040612	N68040455	N68040456
Shaft length	580 mm	860 mm	395 mm	545 mm
Propeller diameter	185 mm	185 mm	185 mm	185 mm
No. of propellers	1	2	1	1
Barrel volume	60 liters (15 gallons)	200 liters (52 gallons)	45L (in Pressure Pot)	60L (in Pressure Pot)
Rated power	0.7 kW	0.7 kW	0.7 kW	0.7 kW
Air pressure, range	0.5-7.0 bar (7-101 psi)	0.5-7.0 bar (7-101 psi)	0.5-6.0 bar (7-87psi)	0.5-6.0 bar (7-87psi)
Max. rotation speed	1,000 rpm	1,000 rpm	1200 rpm	1200 rpm
ATEX	No Ex	No Ex	Zone 0 and 1	Zone 0 and 1



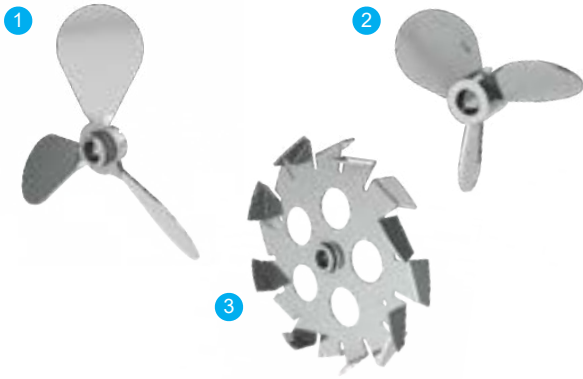
	Agitator A FIX R PR 75 370 *	Agitator A FIX R PR 185 395 *	Agitator A FIX R PR 185 545 *
Part No.	N68040452	N68040453	N68040454
Shaft length	205 mm	275 mm	370 mm
Propeller diameter	75 mm	75 mm	75 mm
No. of propellers	1	1	1
Barrel volume	10L (in Pressure Pot)	12/20L (in Pressure Pot)	22L (in Pressure Pot)
Rated power	0,07 kW	0,07 kW	0,07 kW
Air pressure, range	0.5-6.0 bar (7-87psi)	0.5-6.0 bar (7-87psi)	0.5-6.0 bar (7-87psi)
Max. rotation speed	1200 rpm	1200 rpm	1200 rpm
ATEX	Zone 0 and 1	Zone 0 and 1	Zone 0 and 1

* Available in Q1

Agitators A FIX

Fix mounted air operated agitators

TECHNICAL ILLUSTRATION



Agitator A FIX - Propeller types

1 - Propeller D185 mm, 2 - Propeller type T D127 mm, 3 - Disc Paddle D180 mm

Propellers for following agitator types only: N68040611, N68040612



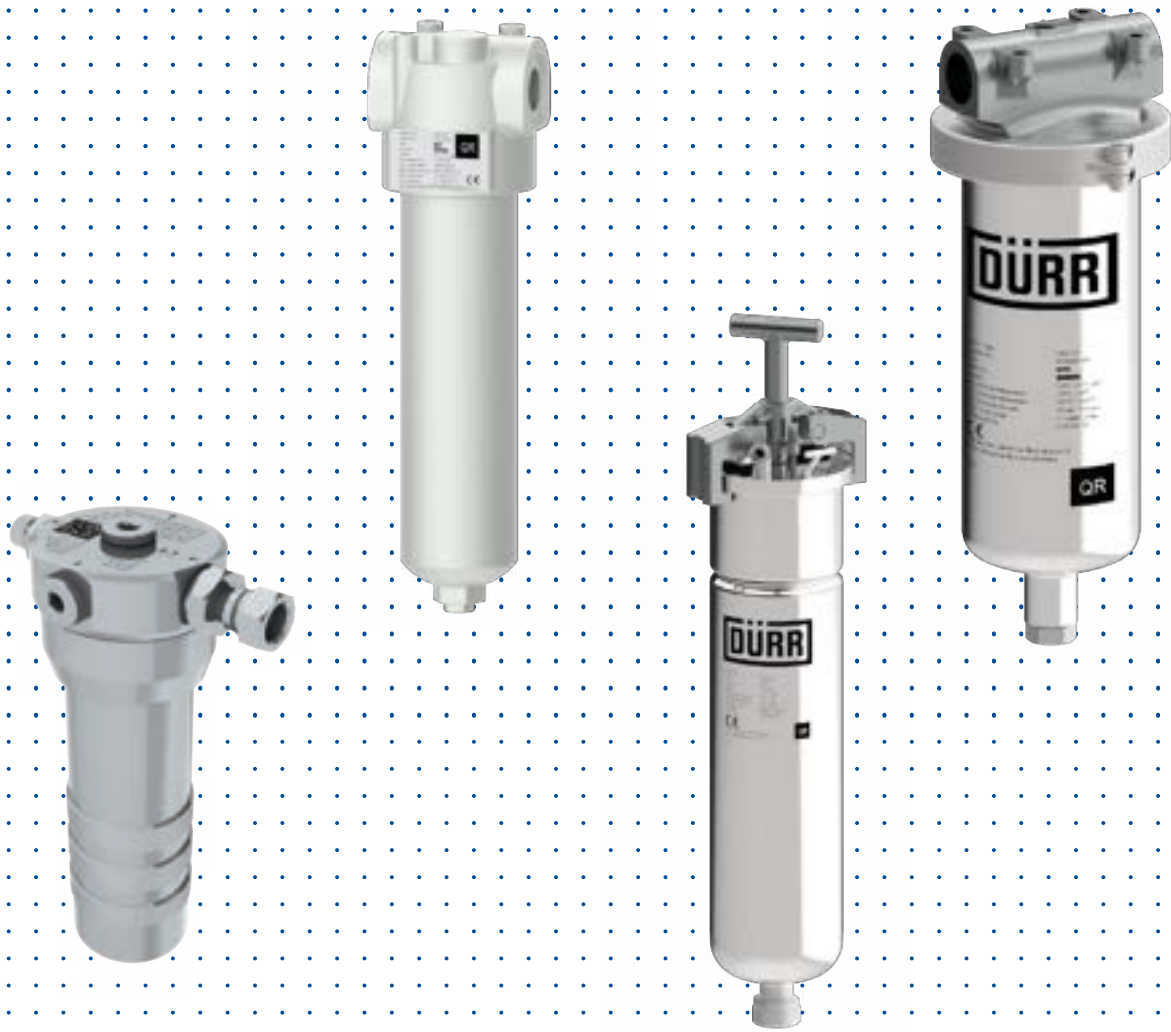
CUSTOMER BENEFITS

Propeller made of stainless steel

Usable in explosive hazardous environment

Multiple propeller sizes and types

Air inlet regulator for speed control



Filters

Material filtering

Product families

Filters HP – high pressure material filters

Filters LP – low pressure material filters

Filters HP

High pressure material filters

High pressure filters can be used for the filtration of paint or any other kind of fluid. Several different filter sizes are available. The filter design allows a tool free filter maintenance. Up to four devices can be connected (three on the sides, one on the bottom). Due to its robust design the filter can be used in low and high pressure applications with a maximum fluid pressure of up to 500 bar (7,250 psi). Additionally the filter helps to reduce the fluids' pressure pulsation.



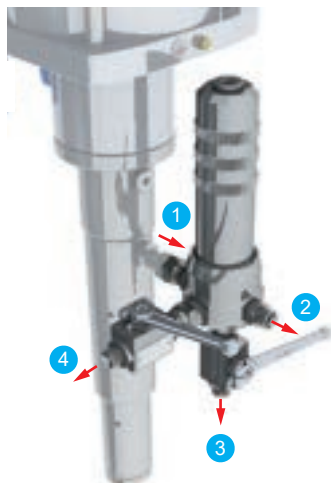
PRODUCT LINE

	HP filter 500µm 500bar M16/16	HP filter 250µm 500bar M16/16	HP filter 149µm 500bar M16/16
Part No.	N35430015	N35430019	N35430023
Max. fluid pressure	500 bar (7,250 psi)	500 bar (7,250 psi)	500 bar (7,250 psi)
Connector inlet / outlet	M16x1.5 / M16x1.5 (female / male)	M16x1.5 / M16x1.5 (female / male)	M16x1.5 / M16x1.5 (female / male)
Filter type	Screen filter	Screen filter	Screen filter
Filter mesh	500 µm	250 µm	149 µm



	HP filter 74µm 500bar M16/16	HP filter 105µm 500bar M16/16	High pressure filter 400bar G3/4" C-St
Part No.	N35430027	N35430031	N35430030
Max. fluid pressure	500 bar (7,250 psi)	500 bar (7,250 psi)	400 bar (5,800 psi)
Connector inlet / outlet	M16x1.5 / M16x1.5 (female / male)	M16x1.5 / M16x1.5 (female / male)	G3/4" (female)
Filter type	Screen filter	Screen filter	Screen filter
Filter mesh	74 µm	105 µm	500 µm

TECHNICAL ILLUSTRATION



HP filter – Deployment

Use case example

- 1 - Inlet, connected to VP pump
- 2 - Side outlet: primary spray gun
- 3 - Bottom outlet, closing valve for pressure release hose
- 4 - Side outlet, closing valve for secondary spray gun

Upside down position ensures pulsation elimination.



CUSTOMER BENEFITS

Suitable for low- and high pressure applications of up to 500 bar (7,250 psi)

Up to four fluid outlets

Tool less filter cartridge exchange

Multiple filtration elements

Reduction of pulsation

Made of stainless steel

Filters HP

High pressure material filters

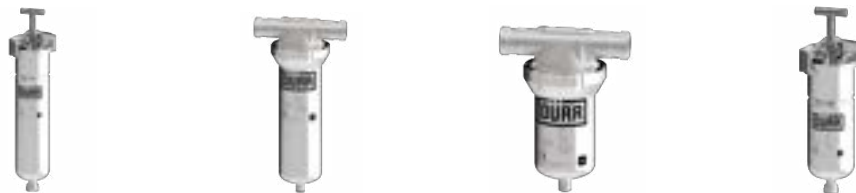
SPARE FILTER INSERTS

Part No.	Description	Compatible housings
M13020061	Strainer 30 msh 500 µm 500 bar SST	N35430015, N35430019, N35430023, N35430027, N35430031
M13020062	Strainer 60 msh 250 µm 500 bar SST	N35430015, N35430019, N35430023, N35430027, N35430031
M13020063	Strainer 100 msh 149 µm 500 bar SST	N35430015, N35430019, N35430023, N35430027, N35430031
M13020064	Strainer 200 msh 74 µm 500 bar SST	N35430015, N35430019, N35430023, N35430027, N35430031
M13020066	Strainer 5 µm SST	N35430030
M13020067	Strainer 10 µm SST	N35430030
M13020068	Strainer 20 µm SST	N35430030
M13020069	Strainer 250 µm SST	N35430030
M13020070	Strainer 300 µm SST	N35430030
M13020071	Strainer 500 µm SST	N35430030
M13020073	Strainer 150msh/105µm 500 bar SST	N35430030

Filters LP

Low pressure material filters

Low pressure filters can be used for the filtration of paint or any other kind of fluid. There are several filter types available. The low pressure filters are available with either a “bag” or cartridge element.



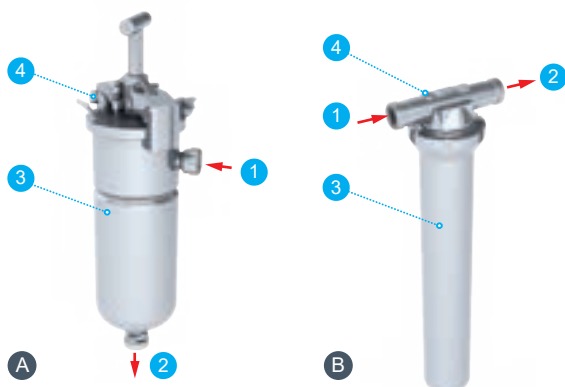
PRODUCT LINE

	Filter housing DN25 GR4 T-BAR PN25	Filter housing DN25 10" 28bar	Filter housing DN25 5" 28bar	Filter housing DN20 GR3 T-BAR PN25
Part No.	M16090113	M16090114	M16090115	M16090116
Max. fluid pressure	25 bar (363 psi)	28 bar (406 psi)	28 bar (406 psi)	28 bar (406 psi)
Connector inlet / outlet	EcoTube DN25 - M42x2	EcoTube DN25 - M42x2	EcoTube DN25 - M42x2	EcoTube DN20 - M36x2
Filter type / size	Bag filter / Size 4	Cartridge filter / 10"	Cartridge filter / 5"	Bag filter / Size 3
Filter mesh	5 µm	5 / 30 / 150 µm	5 µm	5 µm
Weight	8.5 kg	3.6 kg	3.2 kg	6.2 kg



	Filter housing DN32 GR4 T-BAR PN25	Filter housing DN25 ECOT20" 28bar cartri	Filter housing DN18 G1/2" 5" 21bar cartr.
Part No.	M16090117	M16090124	M16090126
Max. fluid pressure	28 bar (406 psi)	28 bar (406 psi)	21 bar (305 psi)
Connector inlet / outlet	EcoTube DN32 - M48x2	EcoTube DN25 - M42x2	G1/2"
Filter type / size	Bag filter / Size 4	Cartridge filter / 20"	Cartridge filter / 5"
Filter mesh	5 µm	5 µm	5 µm
Weight	8.5 kg	4.6 kg	1.3 kg

TECHNICAL ILLUSTRATION



A - Bag filter, B - Cartridge filter
 1 - Material inlet, 2 - Material outlet, 3 - Filter housing,
 4 - Pressure gauge or ventilation connector



CUSTOMER BENEFITS

- Suitable for low pressure applications of up to 28 bar (400 psi)
- Cartridge or bag filter inserts
- Different filtration sieves and meshes
- Made of stainless steel

Filters LP

Low pressure material filters

SPARE FILTER INSETS			
Filter housing	Description (Filter insert in µm)	Material	Part No.
M16090113	5	PP	M13100219
	10	PP	M13100223
	25	PP	M13100233
	50	PP	M13100224
	75	PP	M13100225
	100	PP	M13100230
	150	PP	M13100226
M16090114	5	PP	M13100221
	10	PP	M13100229
	20	PP	M13100271
	30	PP	M13100239
	75	PP	M13100272
	125	PP	M13100228
	150	PP	M13100240
	200	PP	M13100227
M16090115	5	PP	M13100220
	75	PP	M13100273
M16090116	5	PP	M13100218
	50	PP	M13100234
	100	PP	M13100236
M16090117	5	PP	M13100219
	10	PP	M13100223
	25	PP	M13100233
	50	PP	M13100224
	75	PP	M13100225
	100	PP	M13100230
	150	PP	M13100226
M16090124	5	PP	M13100222
M16090126	5	PP	M13100232
	20	PP	M13100252
	40	PP	M13100253
	100	PA	M13100276
	200	PA	M13100277
	250	PA	M13100278



Pressure gauges

Fluid pressure measurement

Product families

Pressure gauges – vertical, horizontal, bottom or back connection

Pressure gauges

Vertical, horizontal, bottom or back connection

Dürr has a broad range of gauges for paint material pressure measurement. Whichever you choose you can rely on high quality of these parts.



PRODUCT LINE				
	Pressure gauge 0-25bar D63 G1/4" down VA	Pressure gauge 0-10bar D63 G1/4" back	Pressure gauge 0-10bar D63 G1/8" down VA	Pressure gauge 0-10bar D63 G1/8" back VA
Part No.	W07010198	W07010199	W07010200	W07010201
Range	0-25 bar (0-360 psi)	0-10 bar (0-145 psi)	0-10 bar (0-145 psi)	0-10 bar (0-145 psi)
Connector	G1/4"	G1/4"	G1/8"	G1/8"
Diameter	63 mm (2.5")	63 mm (2.5")	63 mm (2.5")	63 mm (2.5")
Filling liquid	Glycerine	Glycerine	Glycerine	Glycerine
Connector position	Down	Back	Down	Back



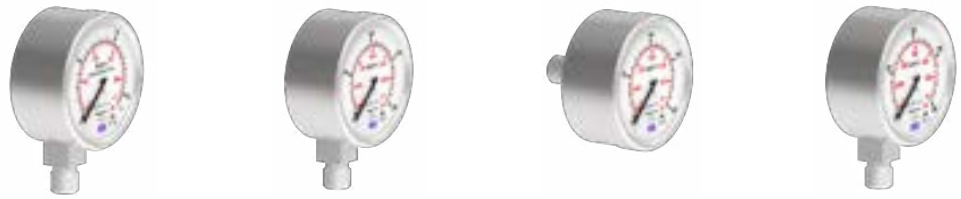
	Pressure gauge 0-10bar D63 G1/4" down	Pressure gauge 0-25bar DN25 vertical	Pressure gauge 0-25bar DN25 horizontal	Pressure gauge 0-25bar D63 G1/4" back VA
Part No.	W07010202	W07010223	W07010238	W07010242
Range	0-10 bar (0-145 psi)	0-25 bar (0-360 psi)	0-25 bar (0-360 psi)	0-25 bar (0-360 psi)
Connector	G1/4"	DN25	DN25	G1/4"
Diameter	63 mm (2.5")	101 mm (4")	101 mm (4")	63 mm (2.5")
Filling liquid	Glycerine	Glycerine	Glycerine	Glycerine
Connector position	Down	Vertical	Horizontal	Back



	Pressure gauge 0-16bar D63 G1/8" centr.	Pressure gauge 0-400bar G1/2" - filled	Pressure gauge 0-400bar G1/2"	Pressure gauge 0-400bar G1/2"
Part No.	W07010261	W07010287	W07010293	W07010302
Range	0-16 bar (0-232 psi)	0-400 bar (0-5,800 psi)	0-400 bar (0-5,800 psi)	0-400 bar (0-5,800 psi)
Connector	G1/8"	G1/2"	G1/2"	G1/2"
Diameter	63 mm (2.5")	68 mm (2.5")	68 mm (2.5")	68 mm (2.5")
Filling liquid	Glycerine	Glycerine	None	None
Connector position	Center	Back	Back	Back

Pressure gauges

Material pressure measurement



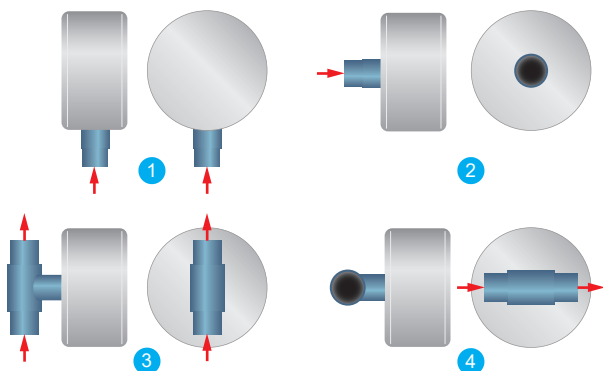
PRODUCT LINE

	Pressure gauge 0-16bar D63 G1/8"	Pressure gauge 0-250bar D63 G1/4" RADIAL	Pressure gauge 0-250bar D63 G1/4" CENTR.	Pressure gauge 0-400bar D63 G1/2" RADIAL
Part No.	W07010353	W07010354	W07010355	W07010356
Range	0-16 bar [0-232 psi]	0-250 bar [0-3,600 psi]	0-250 bar [0-3,600 psi]	0-400 bar [0-5,800 psi]
Connector	G1/8"	G1/4"	G1/4"	G1/2"
Diameter	68 mm [2.75"]	68 mm [2.75"]	68 mm [2.75"]	68 mm [2.75"]
Filling liquid	Glycerine	Glycerine	Glycerine	Glycerine
Connector position	Bottom connection radial	Bottom connection radial	Back center connection	Bottom connection radial



	Pressure gauge 0-500bar D63 G1/2" RADIAL	Pressure gauge 0-500bar D63 G1/2" ZENTR.
Part No.	W07010357	W07010358
Range	0-500 bar [0-7,250 psi]	0-500 bar [0-7,250 psi]
Connector	G1/2"	G1/2"
Diameter	68 mm [2.75"]	68 mm [2.75"]
Filling liquid	Glycerine	Glycerine
Connector position	Bottom connection radial	Bottom connection radial

TECHNICAL ILLUSTRATION

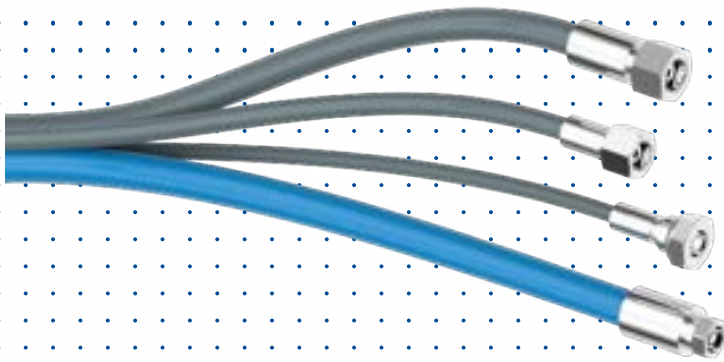


Pressure gauge connector positions
 1 - Down / Bottom / Bottom radial, 2 - Back / Back center / Center,
 3 - Vertical, 4 - Horizontal



CUSTOMER BENEFITS

- [Silicon free](#)
- [Wide pressure range](#)
- [Robust design](#)
- [Made from stainless steel](#)
- [Suitable for ATEX Zone 1 and 2](#)
- [High overload capability](#)



Hoses and fittings

Air & paint hoses

Product families

Hoses – air & paint hoses

Fittings – air & paint fittings

Hoses

Air & paint hoses

Every application requires some sort of media connection. There are hoses which can be used for pneumatic motor air supply and atomization air for air spray guns. On the other hand there are hoses for fluid supply (paint, glue etc.) from pressure pots to automatic air spray guns. High pressure hoses are used for the delivery of high viscose materials from high pressure pumps. There is a wide range of Dürr hoses that fit into any possible application. Easy configuration on our webshop helps you to select the right hose for your needs.



PRODUCT LINE – PAINT HOSES WITH FITTINGS

Order Code	APH -2B-A-ET-DN9-NR	APH -2B-P-PPP-DN6-NR
Part No.	W40650001V	W40650001V
Media	Air	Paint
Max. fluid pressure	20 bar (290 psi)	20 bar (290 psi)
Material	EPDM-Textile	PA-PU-PA
Inner diameter	3/8"	1/4"
Connectors	G1/4" / 1/4" NPSM (female)	M16x1.5 / M14x1.5 / G1/4" / 1/4" NPSM / G3/8" / 3/8" NPSM (female)
Lengths	1-100 m	1-100 m

1 meter = 3.28 feet

Hoses

Air & paint hoses



PRODUCT LINE – AIR HOSES

	Hose 2x4 blue PA	Hose 2,7x4 blue PA	Hose 4x6 blue PA	Hose 6x8 blue PA
Part No.	W40030304	W40030233	W40030001	W40030002
Max. air pressure	10 bar (145 psi)	10 bar (145 psi)	10 bar (145 psi)	10 bar (145 psi)
Material	PA	PA	PA	PA
Inner/Outer diameter	2x4 mm	2.7x4 mm	4x6 mm	6x8 mm
Lengths	any length	any length	any length	any length

1 meter = 3.28 feet



	Hose 6x9 blue PA	Hose 8x10 blue PA	Hose 9x12 blue PA
Part No.	W40030013	W40030017	W40030019
Max. air pressure	10 bar (145 psi)	10 bar (145 psi)	10 bar (145 psi)
Material	PA	PA	PA
Inner/Outer diameter	6x9 mm	8x10 mm	9x12 mm
Lengths	any length	any length	any length

1 meter = 3.28 feet



PRODUCT LINE – MATERIAL HOSES

	Hose 4x6 transparent PFA	Hose 6x8 transparent PFA	Hose 6x9 transparent PFA	Hose 9x12 transparent PFA
Part No.	W40030534	W40030471	W40030496	W40030495
Max. fluid pressure	20 bar (290 psi)	20 bar (290 psi)	20 bar (290 psi)	20 bar (290 psi)
Material	PFA	PFA	PFA	PFA
Inner/Outer diameter	4x6 mm	6x8 mm	6x9 mm	9x12 mm
Lengths	any length	any length	any length	any length

1 meter = 3.28 feet



	Hose 4x6 nature PTFE	Hose 6x8 nature PTFE	Hose 6x9 nature PTFE	Hose 9x12 nature PTFE
Part No.	W40030722	W40030744	W40030723	W40030721
Max. fluid pressure	20 bar (290 psi)	20 bar (290 psi)	20 bar (290 psi)	20 bar (290 psi)
Material	PTFE	PTFE	PTFE	PTFE
Inner/Outer diameter	4x6 mm	6x8 mm	6x9 mm	9x12 mm
Lengths	any length	any length	any length	any length

1 meter = 3.28 feet

Fittings

Air & paint fittings



PRODUCT LINE – AIR FITTINGS

	Connection air D7,2 d10/12 EU	Connection air D5 d8/11 US	Connection air D7,5 d11/13 Asia	Air connection swivel 1/4"i D5 d8/11 US
Part No.	M01010185	M01010186	M01010187	M01300005
Threads	G1/4" (female) coupling D7.2 d10/12 EU	G1/4" (female) coupling D5 d8/11 US	G1/4" (female) coupling D7.5 d11/13 Asia	G1/4" (female) coupling D5 d8/11 US
Material	Brass	Brass	Brass	Brass
Max. air pressure	35 bar (508 psi)	35 bar (508 psi)	35 bar (508 psi)	10 bar (145 psi)
Related products	EcoGun AS MAN	EcoGun AS MAN	EcoGun AS MAN	EcoGun



	Air connection swivel 1/4"i D7,2 EU	Air connection swivel 1/4"i D7,5 A	Screwed plug-in connection D6 G1/8" N Ms	Screwed plug-in connection D8 G1/4" N
Part No.	M01300006	M01300007	M57380003	M57380009
Threads	G1/4" (female) coupling D7.2 d10/12 EU	G1/4" (female) coupling D7.5 d11/13 Asia	G1/8" (male) hose 4x6 mm	G1/4" (male) hose 6x8 mm
Material	Brass	Brass	Brass	Brass
Max. air pressure	10 bar (145 psi)	10 bar (145 psi)	20 bar (290 psi)	20 bar (290 psi)
Related products	EcoGun	EcoGun	EcoGun	EcoGun



	Push-in nipple DN7 G1/4" a Ms	Quick change connection DN7 G1/4" a
Part No.	M58900058	N40030046
Threads	G1/4" (male)	G1/4" (male)
Material	Brass	Brass
Max. air pressure	16 bar (232 psi)	16 bar (232 psi)
Related products	Quick change connection DN7 G1/4" a	Push-in nipple DN7 G1/4" a Ms Air connection swivel 1/4"i D7,2 EU Connection air D7,2 d10/12 EU

Fittings

Air & paint fittings



PRODUCT LINE – PAINT FITTINGS

	Ball valve pressure drain module OMK SST	Ball valve discharge-piece DOK SST
Part No.	M54300607	M54300608
Threads	M16x1.5 (male) M16x1.5 (female)	M16x1.5 (male) M16x1.5 (female)
Material	Stainless steel	Stainless steel
Max. fluid pressure	500 bar (7,250 psi)	500 bar (7,250 psi)
Related products	EcoPump VP Package	EcoPump VP Package



	ELBOW SCREW CONNECTION\G1/4" a-a 60°KONUS	Elbow screw con. adjust.G1/4" - 1/4" NPS(M)	Screw-in fitting WJ	Screw-in fitting WJ	Screw-in fitting WT
Part No.	M55030201	M55030173	M55070363	M55070368	M55070374
Threads	G1/4" (male)	1/4" NPSM (male) G1/4" (female)	M16x1.5 (male) G1/4" (male)	M16x1.5 (female) G3/8" (male)	M14x1.5 (female) d6 1/4" NPSM (male)
Material	Stainless steel	Stainless steel	Stainless steel	Stainless steel	Stainless steel
Max. fluid pressure	775 bar (11,240 psi)	775 bar (11,240 psi)	500 bar (7,250 psi)	500 bar (7,250 psi)	300 bar (4,350 psi)
Related products	EcoMCC 200	EcoDose 3K	EcoPump VP, HP filter	EcoPump VP, HP filter, EcoGun AL MAN, EcoGun AA MAN	EcoGun AL AUTO



	Screw-in fitting M14x1,5 - 1/4" NPSM d6	Screw-in fittings WT M16x1,5 - G3/8" SST	Reducing screw connection M16x1,5i 60°	Reducing Screw Connection \G3/4" a G3/8" a	T-Screw Connection Adjustable\G1/4" 60°
Part No.	M55070387	M55070394	M55100169	M55100192	M55110043
Threads	M14x1.5 (female) G3/8" Universal (male)	M16x1.5 (male) G3/8" (male)	M16x1.5 (female) 1/4" NPS (male)	G3/4" (male) G3/8" (male)	G1/4" (female) G1/4" (male)
Material	Stainless steel	Stainless steel	Stainless steel	Stainless steel	Stainless steel
Max. fluid pressure	20 bar (290 psi)	500 bar (7,250 psi)	500 bar (7,250 psi)	430 bar (6,237 psi)	775 bar (11,240 psi)
Related products	Pressure Pot	EcoPump VP HP filter	EcoPump VP, HP filter EcoGun AL MAN EcoGun AA MAN	EcoFlow HPF EcoFlow HPR	

Fittings

Air & paint fittings



PRODUCT LINE – PAINT FITTINGS

	L screw-in fitting 90°	Reducing Nipple\G3/4" a- G1/4" i VA8	Double nipple R1/2" - R1/2" L44 GF280 SST	Double nipple R3/8" - R3/8" L38 GF280 VA8
Part No.	M55270018	M56100265	M56110053	M56110057
Threads	M30x1.5 (female) G1/2" (female)	G3/4" (male) G1/4" (female)	R1/2" (male)	R3/8" (male)
Material	Stainless steel	Nickel-plated brass	Stainless steel	Stainless steel
Max. fluid pressure	50 bar (725 psi)	400 bar (5,800 psi)	50 bar (725 psi)	50 bar (725 psi)
Related products	EcoPump VP	EcoFlow HPF/R	EcoPump AD	EcoFlow LPF, EcoPump AD



	Double nipple R1/2" a- R1/4" a L33 VA8	Double nipple R3/8" a- R1/8" a L25,5 SST	Double nipple G1/4" a- 1/4" UN1a L24 SST	Double nipple G1/8" a- 1/4" a L28,5 60°in
Part No.	M56110096	M56110307	M56110426	M56110454
Threads	R1/2" (male) R1/4" (male)	R3/8" (male) R1/8" (male)	G1/4" (male) G1/4" (male)	G1/8" (male) G1/4" (male)
Material	Stainless steel	Stainless steel	Stainless steel	Stainless steel
Max. fluid pressure	50 bar (725 psi)	50 bar (725 psi)	50 bar (725 psi)	400 bar (5,800 psi)
Related products	EcoPump AD	EcoDose, EcoFlow LPF	EcoGun AS Auto Pro	EcoDose, EcoFlow LPF



	Double nipple G1/2" a G1/2" a Z St	Double Nipple\G1/4" a L29 VA	Reducing Bush R1" i- R3/8" i GF240 SST
Part No.	M56110479	M56110480	M56240061
Threads	G1/2" (male)	G1/4" (male)	G1" (female) G3/8" (female)
Material	Zinc plated steel	Stainless steel	Stainless steel
Max. fluid pressure	400 bar (5,800 psi)	775 bar (11,240 psi)	50 bar (725 psi)
Related products	EcoPump AD	EcoMCC 200	EcoFlow LPF

Fittings

Air & paint fittings



PRODUCT LINE PAINT FITTINGS

	Push-in nipple G1/2" i L35	Quick connector 3/8" i SS	Quick connector 3/8" i return valve VA	EcoTube DN25 M42x2 - G3/4" SST	Quick change bus- hing G3/8" a 60G SST
Part No.	M58900227	M58940013	M58940019	M80110016	N40040062
Threads	G1/2" (female) push-in	G3/8" (female)	G3/8" (female) with a check valve	DN25 (M42x2) G1" (male)	G3/8" (male)
Material	Brass	Stainless steel	Stainless steel	Stainless steel	Stainless steel
Max. fluid pressure	35 bar (508 psi)	20 bar (290 psi)	20 bar (290 psi)	25 bar (360 psi)	20 bar (290 psi)
Related products	EcoGun AS MAN	Quick change bushing G3/8" a 60G SST EcoGun	Quick change bushing G3/8" a 60G SST EcoGun	LP filter EcoPump HP EcoPump HPE	Quick connector 3/8" i SST, Quick connector 3/8" i return valve VA EcoGun



PRODUCT LINE - DÜRR ECOPLUG FITTINGS

	Straight plug connection D = 13	Straight plug connection D = 9	Nipple insert D = 9	Grounding Device D = 13
Part No.	M58030120 (3x5) M58030121 (3x6) M58030136 (4x6) M58030136 (3.6x6) M58030143 (6x8) M58030134 (6x9) M58030125 (9x12)	M58030138 (2.7x4)	M58030185 (3x5) M58030167 (4x6)	M01520001 (6x9) M01520002 (9x12)
Threads	—	—	—	—
Material	Stainless steel	Stainless steel	Stainless steel	Stainless steel
Max. fluid pressure	35 bar (508 psi)	35 bar (508 psi)	35 bar (508 psi)	35 bar (508 psi)
Related products	EcoMCC3 20, EcoPump9 GW	EcoMCC3 20, EcoPump9 GW	EcoMCC3 20, EcoPump9 GW	EcoMCC3 20, EcoPump9 GW

Fittings

Air & paint fittings



PRODUCT LINE – DÜRR ECOPLUG FITTINGS

	Straight plug connection D = 13	Straight plug connection D = 9	Nipple insert D = 9	Grounding Device D = 13
Part No.	M57030032 (3x6) M57030038 (4x6) M57030040 (6x8) M57030039 (6x9) M57030037 (9x12)	M57320008 (3x6) M57320007 (4x6) M57320010 (6x8) M57320006 (6x9) M57320009 (9x12)	M57410028 (3x6 3x6) M57410022 (4x6 4x6) M57410021 (6x9 6x9) M57410020 (9x12 9x12)	M57410040 (9x12 6x9)
Threads	—	—	—	—
Material	Stainless steel	Stainless steel	Stainless steel	Stainless steel
Max. fluid pressure	35 bar (508 psi)	35 bar (508 psi)	35 bar (508 psi)	35 bar (508 psi)
Related products	EcoMCC3 20, EcoPump9 GW	EcoMCC3 20, EcoPump9 GW	EcoMCC3 20, EcoPump9 GW	EcoMCC3 20, EcoPump9 GW



	L plug connection D = 13	L nipple insert D = 13	Screw-in plug connector	Non-return valve screw-in plug connector
Part No.	M57360025 (6x9 6x9) M57360024 (9x12 6x9) M57360023 (9x12 9x12) M57360026 (6x9 4x6)	M57360055 (4x6 4x6) M57360052 (D13 4x6) M57360056 (D13 D13)	M57380085 (G3/8 6x9) M57380084 (G3/8 9x12) M57380134 (G3/8 12x17) M57580017 (G1/8 6x9) M57580018 (G1/8 9x12) M57380192 (G1/8 12x17)	M54360183 (G1/8 4x6) M54360184 (G1/8 6x9)
Threads	—	—	G1/8 / G3/8	G1/8
Material	Stainless steel	Stainless steel	Stainless steel	Stainless steel
Max. fluid pressure	35 bar (508 psi)	35 bar (508 psi)	35 bar (508 psi)	35 bar (508 psi)
Related products	EcoMCC3 20, EcoPump9 GW	EcoMCC3 20, EcoPump9 GW	EcoMCC3 20, EcoPump9 GW	EcoMCC3 20, EcoPump9 GW

Fittings

Air & paint fittings



PRODUCT LINE – DÜRR ECOPLUG FITTINGS

	Non-return valve screw-in plug connector D = 13	Schott plug connection hose/hose D = 13	Schott plug connection hose/hose D = 18	KOR Reducer D = 18
Part No.	M54360185 (4x6) M54360209 (6x8)	M57390029 (6x9 4x6) M57390027 (6x9 6x9) M57390026 (9x12 6x9) M57390028 (9x12 9x12)	M57390031 (Tube:9x12 6x9) M57390030 (Tube:9x12 9x12)	M55100124 (Tube:6x9)
Threads				
Material	Stainless steel	Stainless steel	Stainless steel	Stainless steel
Max. fluid pressure	35 bar (508 psi)	35 bar (508 psi)	35 bar (508 psi)	35 bar (508 psi)
Related products	EcoMCC3 20, EcoPump9 GW	EcoMCC3 20, EcoPump9 GW	EcoMCC3 20, EcoPump9 GW	EcoMCC3 20, EcoPump9 GW



	Bulkhead connector pipe/pipe D = 18	Schott adapter hose D = 13	Schott adapter pipe D = 18	Screw-in plug connector adapter
Part No.	M57390042 (Tube:9x12 Tube:9x12)	M57390044 (6x9 M13) M57390043 (9x12 M13)	M57390041 (Tube:9x12 M13)	M57380129 (D13 G1/8)
Threads				G1/8
Material	Stainless steel	Stainless steel	Stainless steel	Stainless steel
Max. fluid pressure	35 bar (508 psi)	35 bar (508 psi)	35 bar (508 psi)	35 bar (508 psi)
Related products	EcoMCC3 20, EcoPump9 GW	EcoMCC3 20, EcoPump9 GW	EcoMCC3 20, EcoPump9 GW	EcoMCC3 20, EcoPump9 GW



06

Manipulators

Product groups

Robots _____ 137



Robots

Versatility in every single detail

Product families

EcoRP 10 R1100 – small ready to spray painting robot

EcoRP 10 R1100

Small ready to spray painting robot

The **EcoRP 10 R1100** is a six-axis robot with a maximum reach of 1,100 mm and a total payload of up to 10 kg. Equipped with paint application technology for 1K and 2K applications, high- and low pressure as well as water and solvent-borne paint, the **EcoRP 10 R1100** is the perfect choice for electrostatic and other paint applications, that serve the requirements in various industries. The interaction of robot and high-speed rotating atomizer convinces through maximum repeatability and continuous precision. The paint can be charged by high voltage which achieves a transfer efficiency of up to 90%. The maintenance requirements are reduced to a minimum due to the modular design and the lifetime lubrication.



PRODUCT LINE

	EcoRP 10 R1100
Part No.	N92010001V
Weight	75 kg (robot with application), 240 kg (control unit), up to 39 kg (fluid board)
Number of axis	6
Payload	10 kg
Supply voltage	380-480 V
Frequency	50-60 Hz
Protection class	IP67



CUSTOMER BENEFITS

Explosion proof robot with 6 axis and a reachability of 1,100 mm

Flexible control system for motion and process

Various interfaces to connect with third party devices (e.g. Line-PLC)

Suitable for wall, ceiling or floor installation

Modern user interface

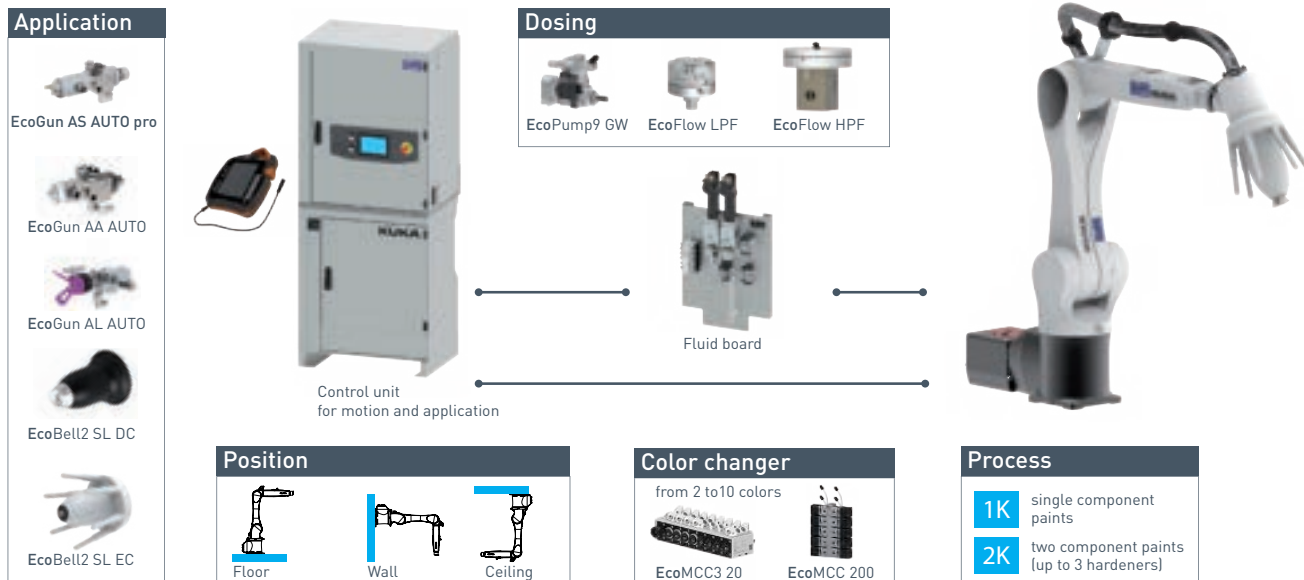
All common paint processes are supported (Bell / Gun, 1K / 2K, High / Low-Pressure)

ready2spray: Preassembled equipment for fast ramp up time

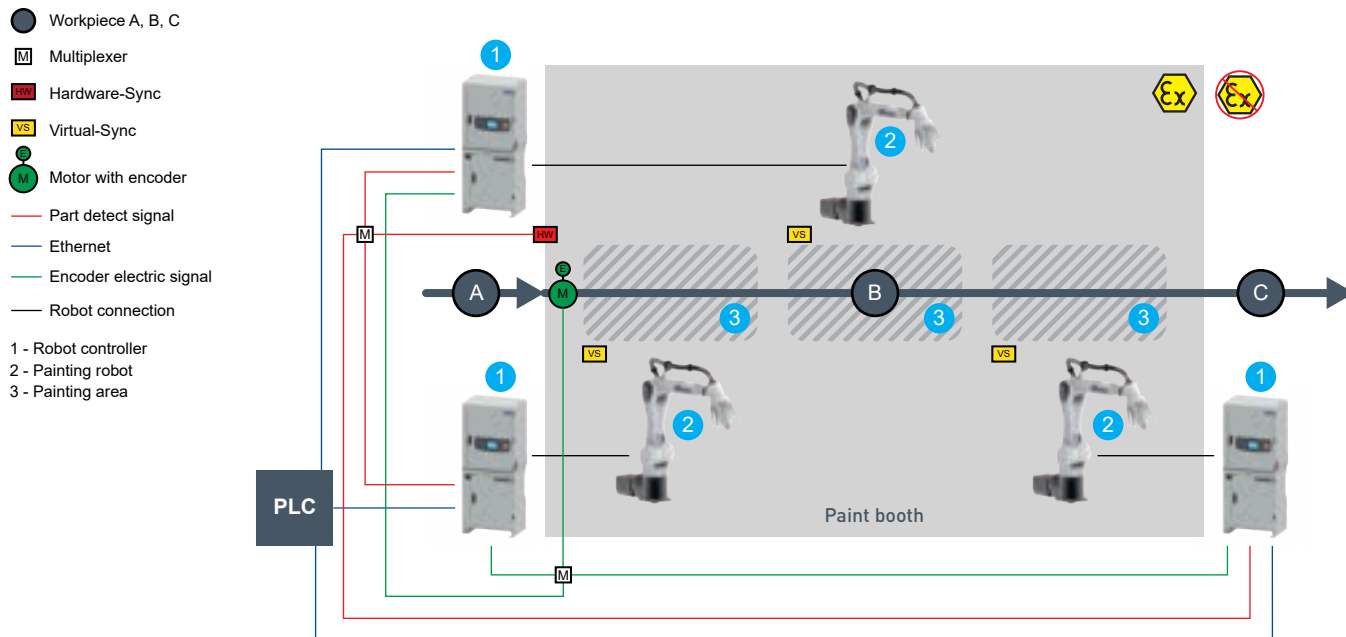
EcoRP 10 R1100

Small ready to spray painting robot

TECHNICAL ILLUSTRATION



TECHNICAL ILLUSTRATION - LINE TRACKING



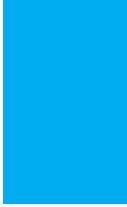
EcoRP 10 R1100

Small ready to spray painting robot

ORDER CODE

EcoRP 10 R1100		Code	Option
Option	Code		
Certification			Isolation for high voltage
EU	EU	N	No
US	US		Dosing pump catalyst
Mounting		045	0.45 ccm
Floor mounted	FM	100	1.0 ccm
Wall mounted	WM	200	2.0 ccm
Ceiling mounted	CM	N	Not relevant
Pressure range			Dosing pump paint
20 bar	20	300	3.0 ccm
200 bar	200	450	4.5 ccm
Atomizer		N	Not relevant
EcoBell2 EC	EC		Dosing system
EcoBell2 DC	DC	DP	Dosing pump
EcoBell2 HRZ	HRZ	PPR	Paint pressure regulator
EcoGun AS AUTO pro	AS		No. of catalysts
EcoGun AA AUTO	AA	1	1
EcoGun AL AUTO	AL	2	2
Process		3	3
1K	1K	N	None
2K	2K		Color changer valve type
Teachpendant		PM	Plastic
Not Ex-Proof	N	SST	Stainless steel *
Ex-Proof *	EX		Number of colors (deadend)
Field bus system		0 - 10	0-10
ProfiNet	PN		Number of colors (circulation)
EtherCAT	EC	0 - 10	0-10
EtherNet I/P	EP		Air Cap
Additional axes		CF	Conventional full size (CF)
None	N	LF	LVLV full size (LF)
Linetracking	LT	SF	Super fine full size (SF)
Amplifier for rail *	RA	N	Not relevant
Shaping air ring			Needle type
Wide brush	HF	N	Not relevant
Adjustable brush	HX	S	Common media (S)
Not relevant	N	B	High viscosity media (B)
Bell disk type			Spray angle
Serrated	SE	N	Not relevant
Not serrated	NSE	10 / 20 / 30 / 40 / 50 / 60 / 70 / 80 / 90	10° / 20° / 30° / 40° / 50° / 60° / 70° / 80° / 90°
None	N		Nozzle type
Return line		SST	Stainless steel
Yes	Y	SSC	Stainless steel coated
No	N	N	Not relevant
Nozzle size			
0.80 / 1.00 / 1.10 / 1.20 / 1.30 / 1.40 / 1.50 / 1.60 / 1.80 / 2.00 / 2.50 / 3.00	08 / 10 / 11 / 12 / 13 / 14 / 15 / 16 / 18 / 20 / 20 / 30 / 018 / 023 / 028		
0.18 / 0.23 / 0.28 / 0.33 / 0.38 / 0.43 / 0.48 / 0.50 / 0.53 / 0.58 / 0.60 / 0.63 / 0.68 / 0.70 / 0.73 / 0.78 mm	033 / 038 / 043 / 048 / 05 / 053 / 058 / 06 / 063 / 068 / 07 / 073 / 078		

* Not available yet.

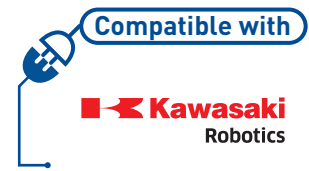


05

Process controllers

Product groups

EcoAUC	128
EcoPUC A	131



EcoAUC

Automated application control

Product families

EcoAUC – control units for spray process control

EcoAUC

Control units for spray process control

Fill your application products with new life with the EcoAUC control system. PLC and valve technology allows to operate color change systems from the EcoMCC family with up to 10 colors. Dosing is carried out using the high efficient gear dosing pump EcoPump9 GW or the compact paint pressure regulator EcoFlow. To maximize efficiency, the integrated control for a high speed rotary atomizer can be extended by a high tension cascade for external or direct charge. EcoAUC can also control various automatic spray guns with air spray, airless or air-assist application technology as well as the EcoPaintJet. Despite numerous features the operation of the EcoAUC always remains straightforward and simple due to a modern interface.

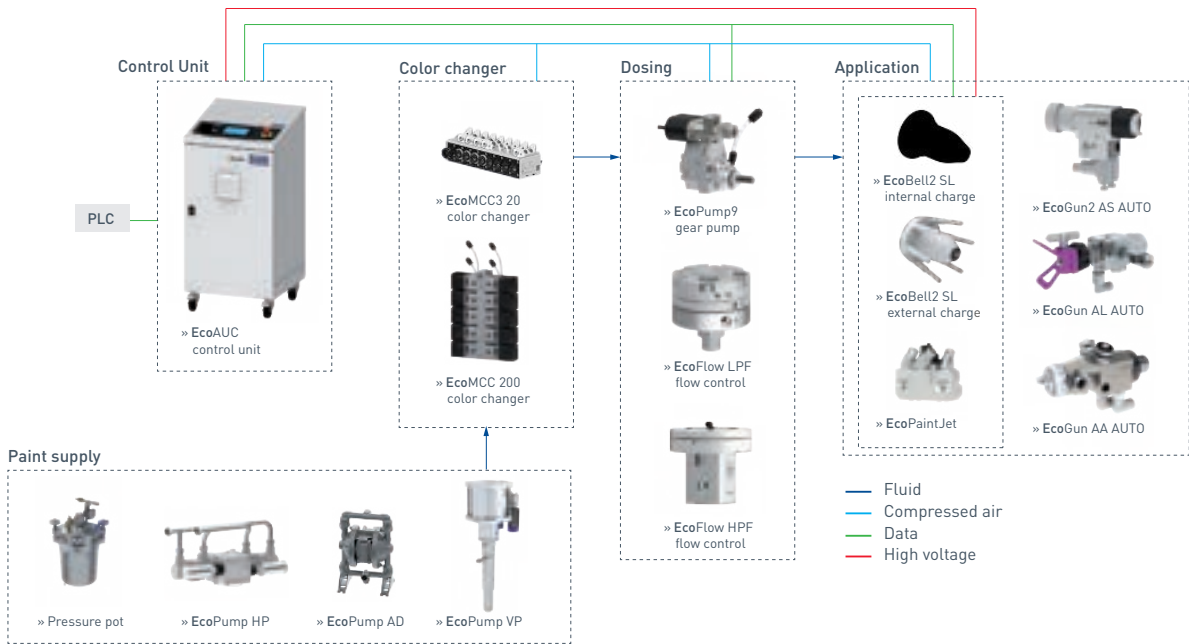


PRODUCT LINE	
	EcoAUC
Part No.	F30310001V
No. of colors	2-10
Air pressure	6-8 bar (87-116 psi)
Supply voltage / Freq.	380-480 V / 50-60 Hz
Effective power	4,000 W
Protection class	IP54

→ CUSTOMER BENEFITS

- Compact structure with modern design
- Colored 7" touchscreen for ease of use
- Various interfaces (emergency shutdown, ethernet, released for process technology etc.)
- Quick start with default brushes and automatic sequences for purging and pre-charging
- Simplified service and maintenance
- Control of color changer with 2-10 colors
- Control of high speed rotating atomizer with external or direct charge
- Control of automatic spray guns or high rotational atomizers
- Control of EcoPaintJet

TECHNICAL ILLUSTRATION



EcoAUC

Control units for spray process control

ORDER CODE

EcoAUC	
Option	Code
Process	
1K	1K
2K	2K
Atomizer	
External charge	EC
Direct charge	DC
HSRA	HRZ
EcoPaintJet	PJ
Air spray	AS
Airless	AL
Air-assist	AA
Dosing system	
1DP	1DP
2DP	2DP
1PPR	1PPR
Certification	
EU	EU
Quantity paint	
2	2
4	4
6	6
8	8
10	10
Conveying capacity paint	
0.45 ccm	45
1.0 ccm	100
2.0 ccm	200
3.0 ccm	300
4.5 ccm	450
None	N
Purgeability	
Yes	Y
No	N
Conveying cap. hardener	
0.45 ccm	45
1.0 ccm	100
2.0 ccm	200
3.0 ccm	300
4.5 ccm	450
None	N
Flange package	
5 m	5
10 m	10
Return	
Yes	Y
No	N
Connection	
Binary (Standard)	BI



EcoPUC A

Control units for air operated pumps

Product families

EcoPUC A – control units for air operated pumps

EcoPUC A

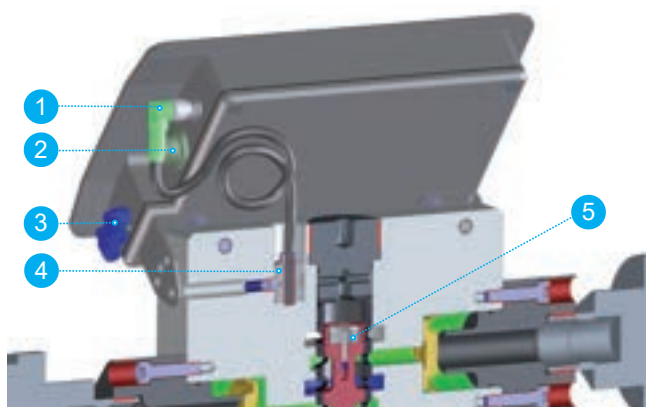
Control units for air operated pumps

The **EcoPUC A** is an intrinsically safe control unit, used to monitor pneumatic pumps (e.g. **EcoPump VP** or **EcoPump HP**) while in operation. A reed-sensors enables the **EcoPUC A** to count the pumps current number of cycles. Additionally an intelligent algorithm identifies when the pump runs dry. The integrated solenoid valve stops the pump when running dry, to avoid excessive wear. The **EcoPUC A** also reminds the maintenance personnel when the pump seals have to be exchanged. A Profibus PA interface allows to intercommunicate with external PLCs.



PRODUCT LINE			
	EcoPUC A RA V2	EcoPUC A RA BUS V2	EcoPUC A
Part No.	F30300011	F30300012	F30900003
Related products	EcoPump VP / EcoPump HP	EcoPump VP / EcoPump HP	EcoDose 2K / EcoDose 3K
Proximity switch with reed switch	Yes	Yes	—
Control air	Yes	Yes	—
Profibus PA	No	Yes	Yes
Functions	Flow rate / Wear monitoring / Runaway	Flow rate / Wear monitoring / Runaway	Remote control in Ex zone (loading, purging, receipt change, alarms display and reset)

TECHNICAL ILLUSTRATION



1 - Reed-Sensor Interface, 2 - Profibus PA interface, 3 - "Run Away" valve, 4 - Reed-Sensor, 5 - Magnet



CUSTOMER BENEFITS

[Prevention of dry run situations](#)

[Predictive maintenance](#)

[Status surveillance on external PLCs](#)

[Easy-to-use menu structure](#)

[Worldwide language support](#)

ready2spray & ready2integrate concept

READY2SPRAY



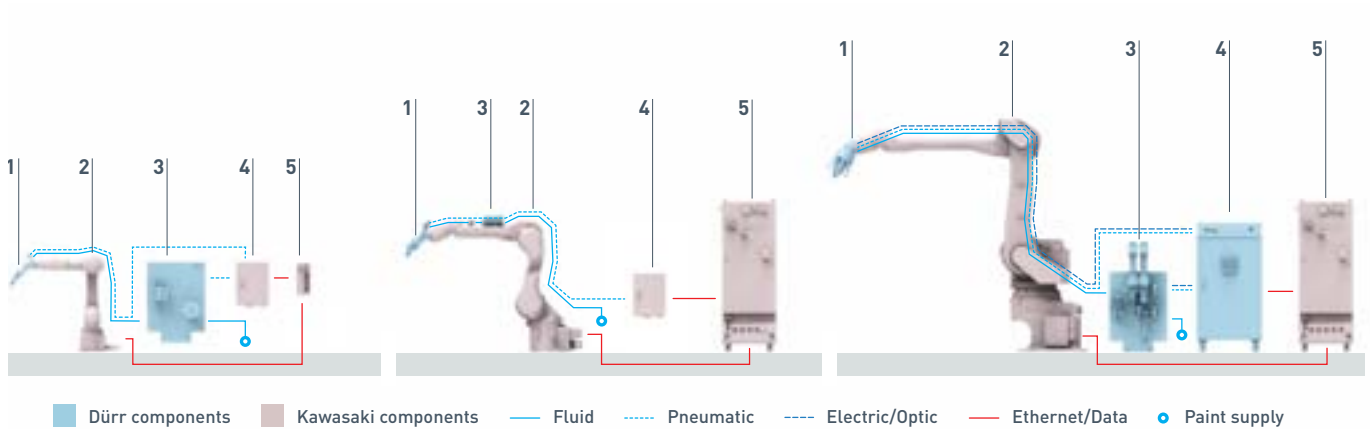
READY2INTEGRATE



	ready2spray	ready2integrate
Dedicated for	Distributor Integrator	Integrator
Dürr scope	Single material number Configurator available All components are pre-assembled and tested in their combination	Single material number Optional configurator available Single components are tested
Integrator scope	Connect media (air, fluid, power) Integrate with safety concept Set up and fix Program application process, robot movement etc.	Connect the individual products (e.g., cables, hoses, pipes, etc.) Connect main media (air, fluid, power) Integrate with safety concept Set up and fix Program application process, robot move etc.
Products	EcoRP 10 R1100 EcoPump VP Package EcoPump AD Package	EcoAUC EcoPUC MC EcoSupply P Core
Benefits	Pre-engineered Pre-assembled	Pre-engineered

ready2integrate

EXAMPLE OF COMPATIBILITY WITH KAWASAKI ROBOTS



Dürr scope	Kawasaki scope	Integrator scope
1) Application <ul style="list-style-type: none"> Air spray guns Airless guns Air-Assist guns Rotary atomizers (external/direct charge) 	2) Robots <ul style="list-style-type: none"> KJ125 (ATEX) KJ155 (ATEX) KJ194 (ATEX) KJ264 (ATEX) RS007L (non ATEX) RS010L (non ATEX) RS015X (non ATEX) 	Hardware <ul style="list-style-type: none"> Mounting of application and fluid handling equipment Interconnection of application and fluid handling equipment (hosing, cabling)
3) Fluid handling <ul style="list-style-type: none"> Color changers (low/high pressure) Flow regulators (low/high pressure) Dosing pumps (low pressure) Hoses (low/high pressure) 	Add-Ons <ul style="list-style-type: none"> Textile sleeve Cable tray 	Software <ul style="list-style-type: none"> Teaching Brushes Recipes
4) Controllers <ul style="list-style-type: none"> EcoAUC 	4/5) Controllers <ul style="list-style-type: none"> F60 incl. EcoAUC interface E45 incl. EcoAUC interface Pneumatic controller 	Miscellaneous <ul style="list-style-type: none"> Cell layout and integration Safety concept

07

Marketing

In order to strengthen our brand and to support our sales partners, we offer various marketing materials for our products. Our partners can find all available information and marketing materials in the manual for distributors. With our "Authorized Distributor" logo distributors are verified to customers as high-quality sales and after sales partners.

AUTHORIZED DISTRIBUTOR LOGO



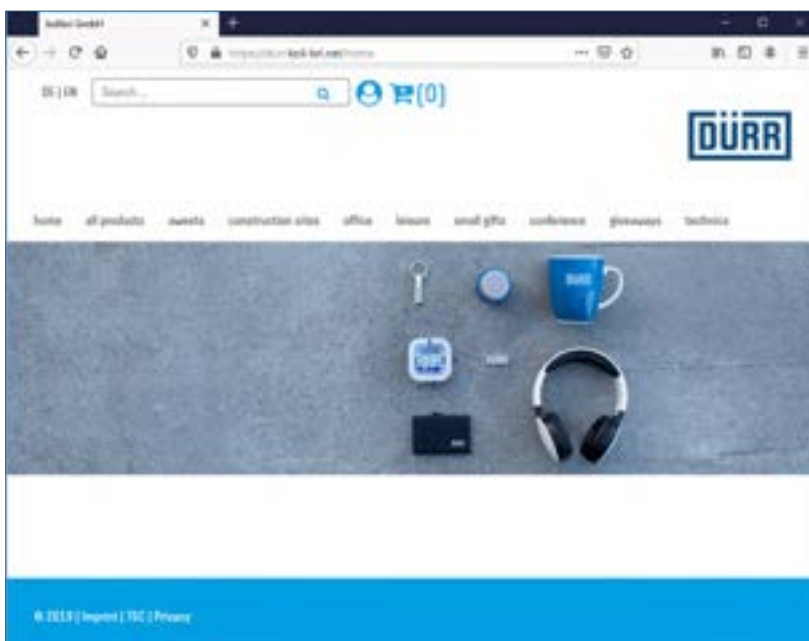
Applications:

Offices & Showrooms
Website & E-shops
Printed materials
Cars & Vans



GIVEAWAY'S WEBSHOP

Dürr has many useful giveaways for his partners. They are available in a dedicated webshop via following address:
<https://durr.koli-bri.net/>

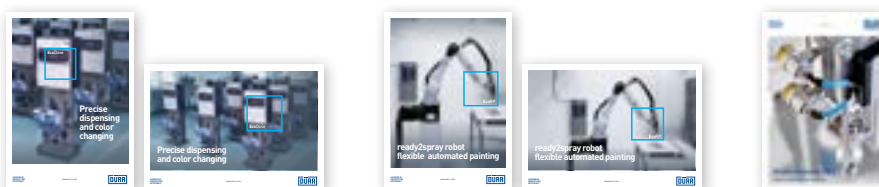


Marketing



POSTERS & CATALOG

	Poster EcoGun AUTO	Poster EcoPump HP	Poster EcoBell
Part No.	W91010024 (A1 portrait) W91010098 (A1 landscape) W91010030 (A2 portrait) W91010099 (A2 landscape) W91010036 (A3 portrait) W91010100 (A3 landscape)	W91010026 (A1 portrait) W91010101 (A1 landscape) W91010032 (A2 portrait) W91010102 (A2 landscape) W91010038 (A3 portrait) W91010103 (A3 landscape)	W91010083 (A1 portrait) W91010089 (A1 landscape) W91010084 (A2 portrait) W91010090 (A2 landscape) W91010085 (A3 portrait) W91010091 (A3 landscape)



	Poster EcoDose 2K	Poster EcoRP	Product catalog 2022
Part No.	W91010045 (A1 portrait) W91010095 (A1 landscape) W91010029 (A2 portrait) W91010096 (A2 landscape) W91010035 (A3 portrait) W91010097 (A3 landscape)	W91010086 (A1 portrait) W91010092 (A1 landscape) W91010087 (A2 portrait) W91010093 (A2 landscape) W91010088 (A3 portrait) W91010094 (A3 landscape)	W91070001 (English)



OTHERS

	Advertising flag	T shirts - short sleeve	T shirt - long sleeve
Part No.	W91050001 (250 cm)	W20810276 (S) W20810267 (M) W20810268 (L) W20810269 (XL) W20810273 (XXL)	W20810275 (S) W20810270 (M) W20810271 (L) W20810272 (XL) W20810274 (XXL)

Your partner for successful production

Dürr's customer service offers support around the world. Dürr is always on-site to help to reduce production costs, increase plant availability and guarantee rapid technical support.



OUR SERVICE AT YOUR DEMAND

[Ramp-up and launch management](#)

[Modifications and upgrades](#)

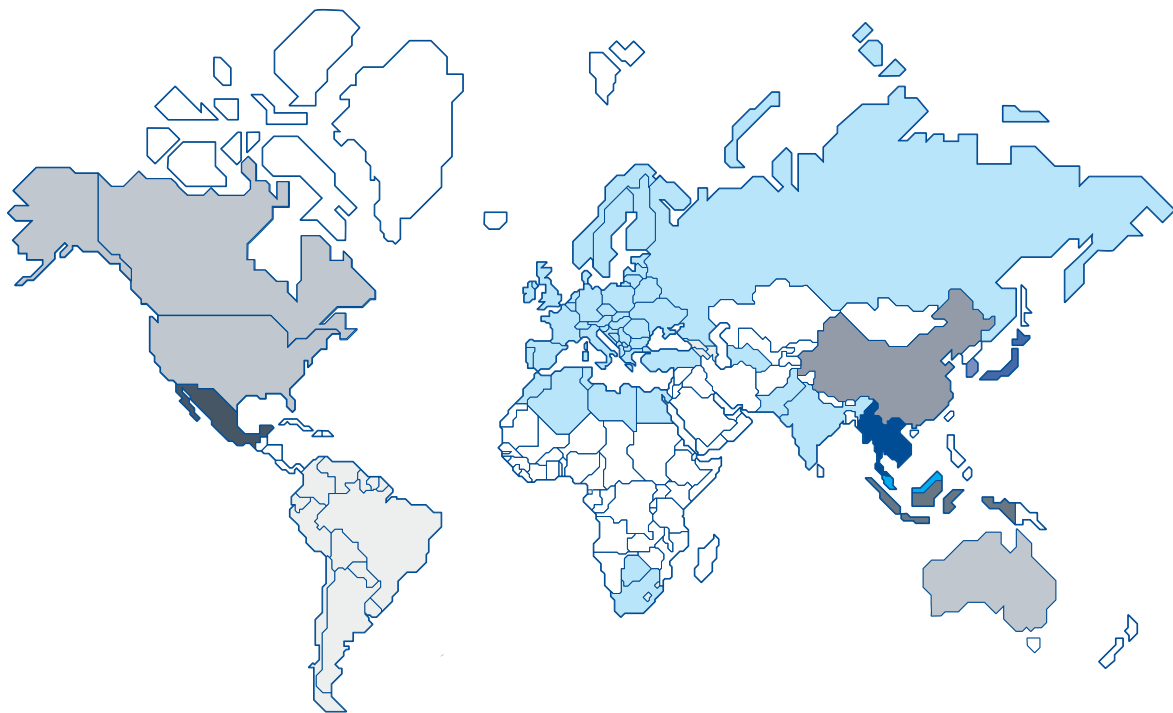
[Engineering with experience](#)

[Spare parts service](#)

[Inspection and maintenance](#)

Service locations all over the world

Anytime and worldwide



HOTLINE NUMBERS

EUROPE, AFRICA, RUSSIA, INDIA
German, English

+49 7142 78 2550

NORTH AMERICA, AUSTRALIA
English

+1 248 803 0303

SOUTH AMERICA
Portuguese, Spanish

+55 11 5631 8236

CHINA
Chinese, English

+86 21 5106 1099

INDONESIA
Bahasa Indonesia, English

+62 811 878 5757

MALAYSIA
Bahasa Malaysia, English

+60 12 688 6843

MEXICO
Spanish, English

+52 442 363 9587

THAILAND
Thai, English

+66 98 246 8994

SOUTH KOREA
Korean

+82 1670 9971

JAPAN
Japanese

+81 47 404 6802

Contacts

Europe

France Guyancourt
Dürr Systems
Phone: + 33 6 89 84 49 46

Germany Bietigheim-Bissingen
Dürr Systems AG
Phone: +49 7142 78-1800

Italy Rodano (MI)
Verind S.p.A.
Phone: +39 02 9595 171

Poland Radom
Dürr Poland Sp. z o.o.
Phone: +48 48 3610 100

Russia Moscow
000 Dürr Systems RUS
Phone: +7 916 600 42 38

Spain Viladecans (Barcelona)
Dürr Systems Spain S.A.
Phone: +66 936 472 525

UK Warwick
Dürr Ltd.
Phone: +44 1926 41 88 00

North America

Mexico Querétaro
Dürr de México S.A de C.V.
Phone: +52 442 192-5700

USA Southfield, MI
Dürr Systems Inc.
Phone: +1 248 450-2040

South America

Brazil São Paulo
Dürr Brasil Ltda.
Phone: +55 11 3137-1760

Asia

China Shanghai
Dürr Paintshop Systems Engineering
Corp. Ltd.
Phone: +86 21 6219 3719-9

India Chennai
Dürr India Private Limited
Phone: +91 44 4393 -1600

Indonesia Jakarta
Dürr Systems (Indonesia), PT.
Phone: +62 21 2966 0029

Japan Tokyo
Dürr Japan K.K.
Phone: +81 47 404 4141

Malaysia Petaling Jaya, Selangor
Dürr Systems Malaysia Sdn Bhd
Phone: +603 7886 8222 / 8333

South Korea Seoul
Dürr Korea Inc.
Phone: +82 2 6444 1036

Thailand Bangkok
Dürr (Thailand) Co., Ltd.
Phone: +66 2 108 1830

Vietnam Ho Chi Minh City
Dürr Vietnam Co., Ltd.
Phone: +84 28 36202752

Africa

Maroco Tanger-Médina
Dürr Systems Maroc
Phone: + 33 6 89 84 49 46

South African Republic Port Elizabeth
Dürr Africa Pty. Ltd.
Phone: +27 87 820 9000



INP.CUSTOMER.SUPPORT@DURR.COM



WHERE TO BUY?

All products can be obtained from our distributor network.
Contact us to find out your nearest Dürr industrial product supplier.



www.durr.com

LEADING IN PRODUCTION EFFICIENCY



Dürr Systems AG
Carl-Benz-Strasse 34
74321 Bietigheim-Bissingen
Germany

Phone +49 7142 78-1800
E-Mail INP.Customer.Support@durr.com



Subject to change. The information in this brochure contains only general descriptions or performance characteristics which may vary in actual cases. The requested performance parameters shall be binding only if they are explicitly agreed within the sales contract. © 2022 Dürr Systems AG